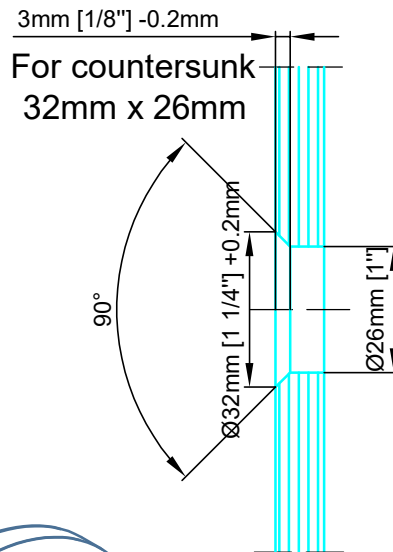
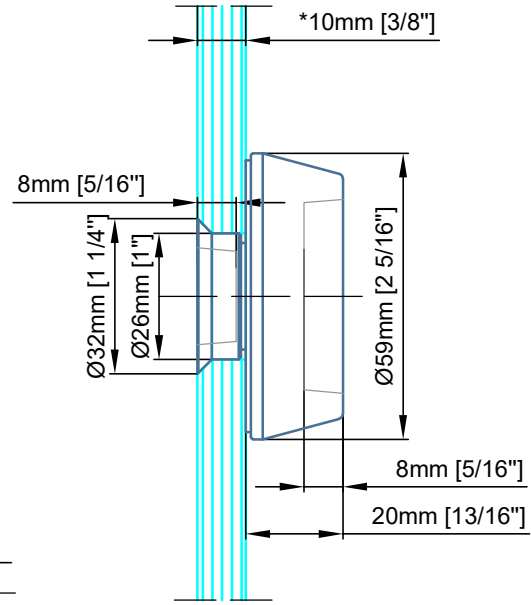
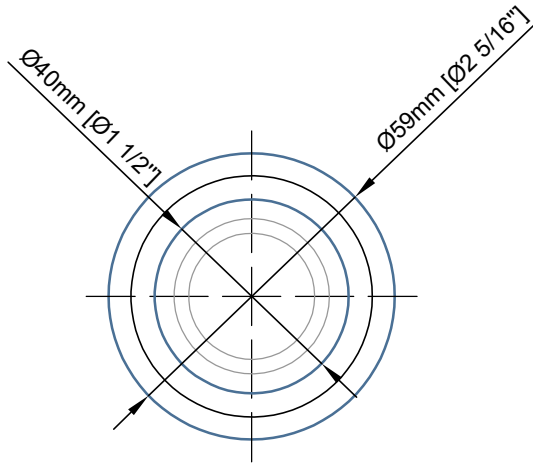
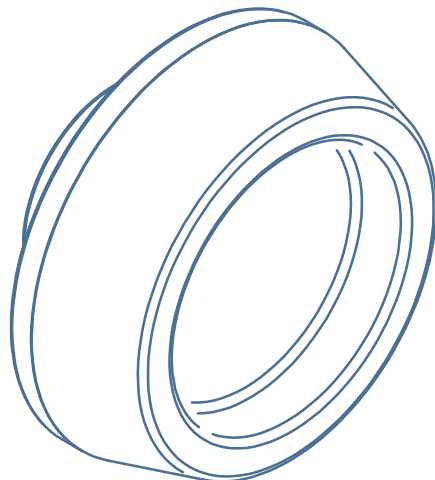


Glass to be tempered



*Available for:
 8mm [5/16"]
 10mm [3/8"]
 12.7mm [1/2"] glass thickness



Front View



Back View

GR.3226 cup pull *(for glass doors)*



NORTH AMERICA

Email: info@mwe-na.com

phone: (954) 982-6595

www.mwe-na.com