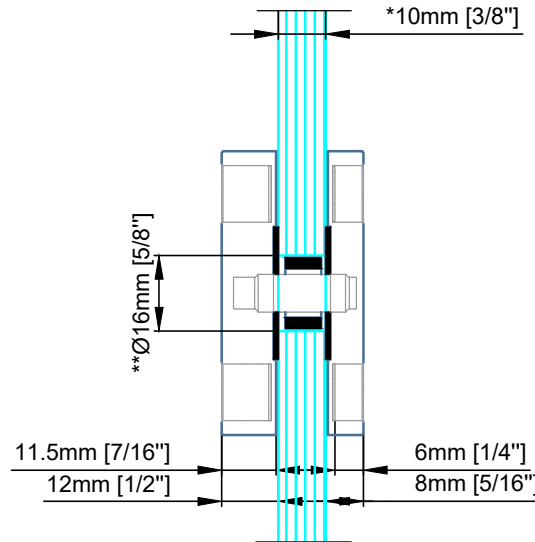
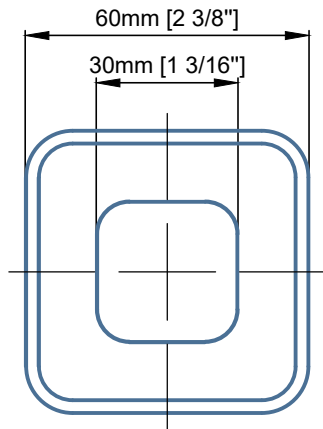


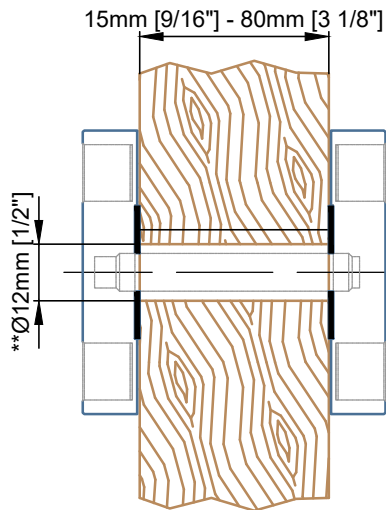
Glass to be tempered

*Available for:
 8mm [5/16"]
 10mm [3/8"]
 12.7mm [1/2"] glass thickness

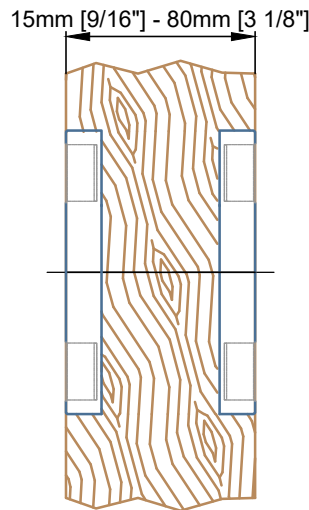


**Door Preparation / Drilling

Version One



Version Two



GR.6605 cup pull (for wood or glass doors)