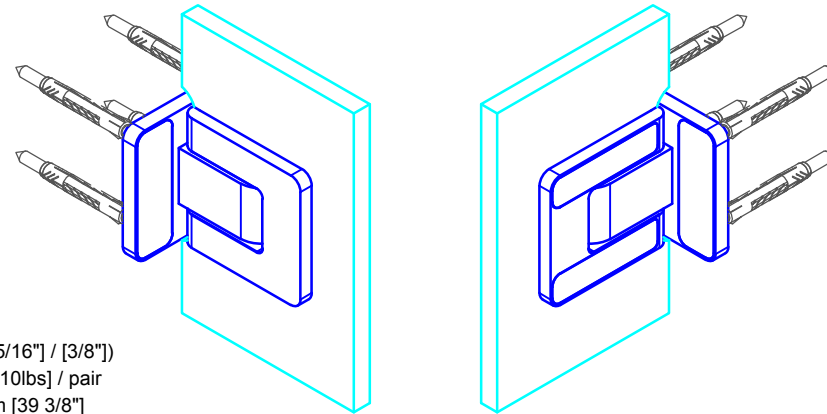
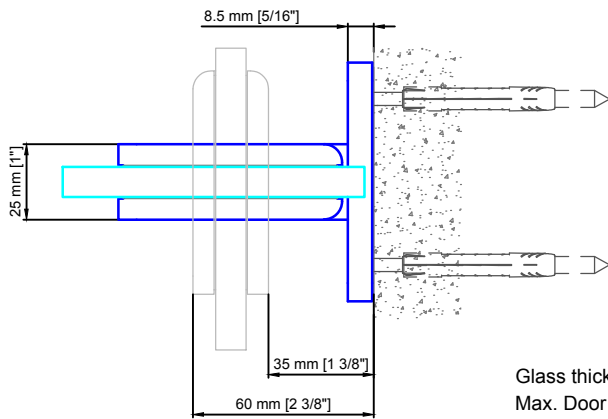
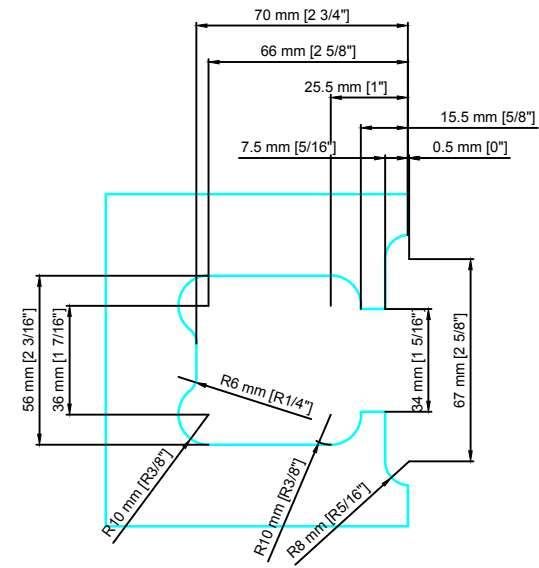
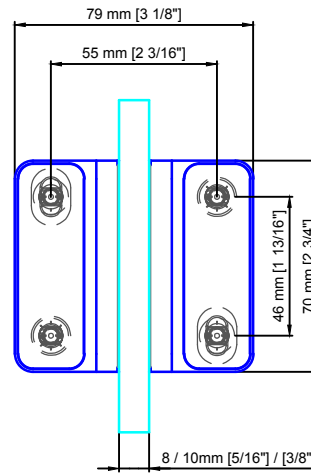
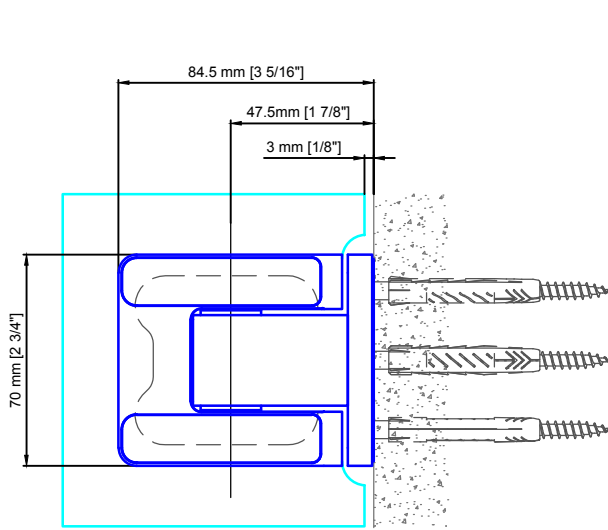


Technical drawings are subject to change without notice.
 All millimeter dimensions are exact and supersede inch conversions.

Copyright MWE NA Inc., all rights reserved. Reproduction or other use of these designs without written consent from MWE NA Inc. is prohibited.



Glass thickness = (8 / 10mm) ([5/16\"/>

Recommendation:
 From a door leaf height of 2600mm [102 3/8\"/>

Agitus M

PT.7210 (without seal)

Date Prepared: July 2023

Prepared By: AB

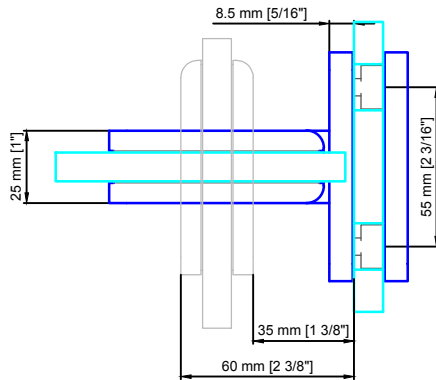
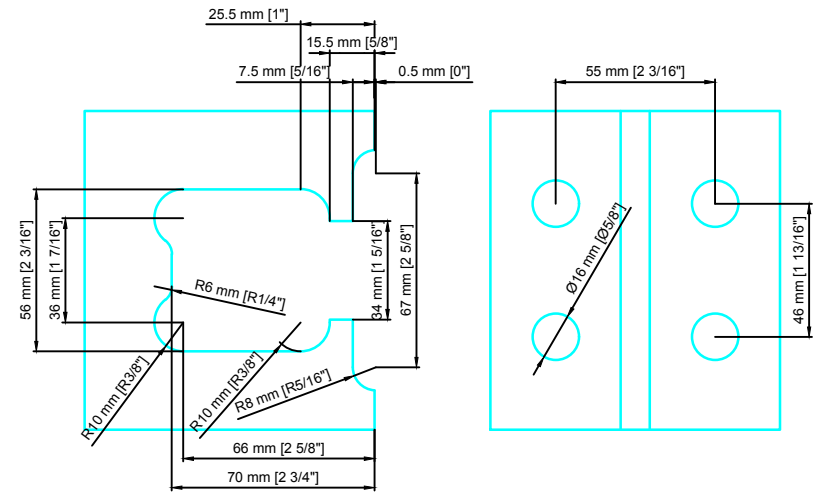
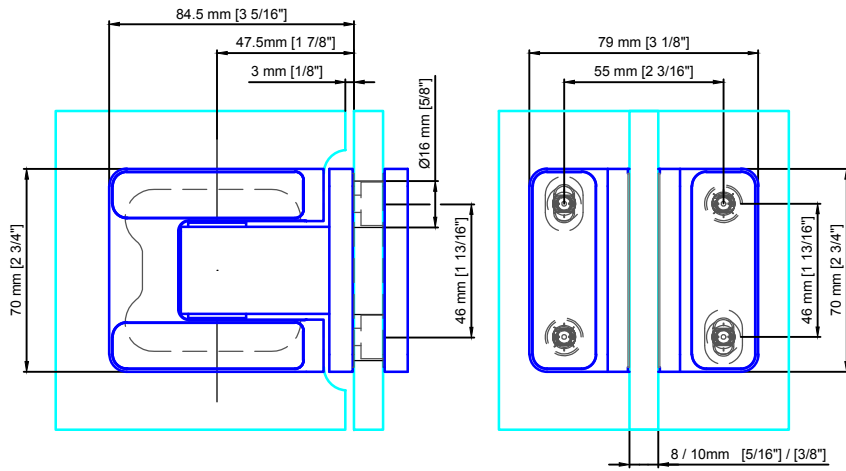
Technical drawings are subject to change without notice.
 All millimeter dimensions are exact and supersede inch conversions.

Copyright MWE NA Inc., all rights reserved. Reproduction or other use of these designs without written consent from MWE NA Inc. is prohibited.

Bohrungsmaße

Türblatt

Festglas



Glass thickness = (8 / 10mm) ([5/16"] / [3/8"])
 Max. Door Leaf weight = 50kg [110lbs] / pair
 Max. Door Leaf width = 1000mm [39 3/8"]

Recommendation:
 From a door leaf height of 2600mm [102 3/8"], please use 3 door hinges. Installation of the additional door hinge in the upper third of the door.

Agitus M
 PT.7211 (without seal)

Date Prepared: July 2023

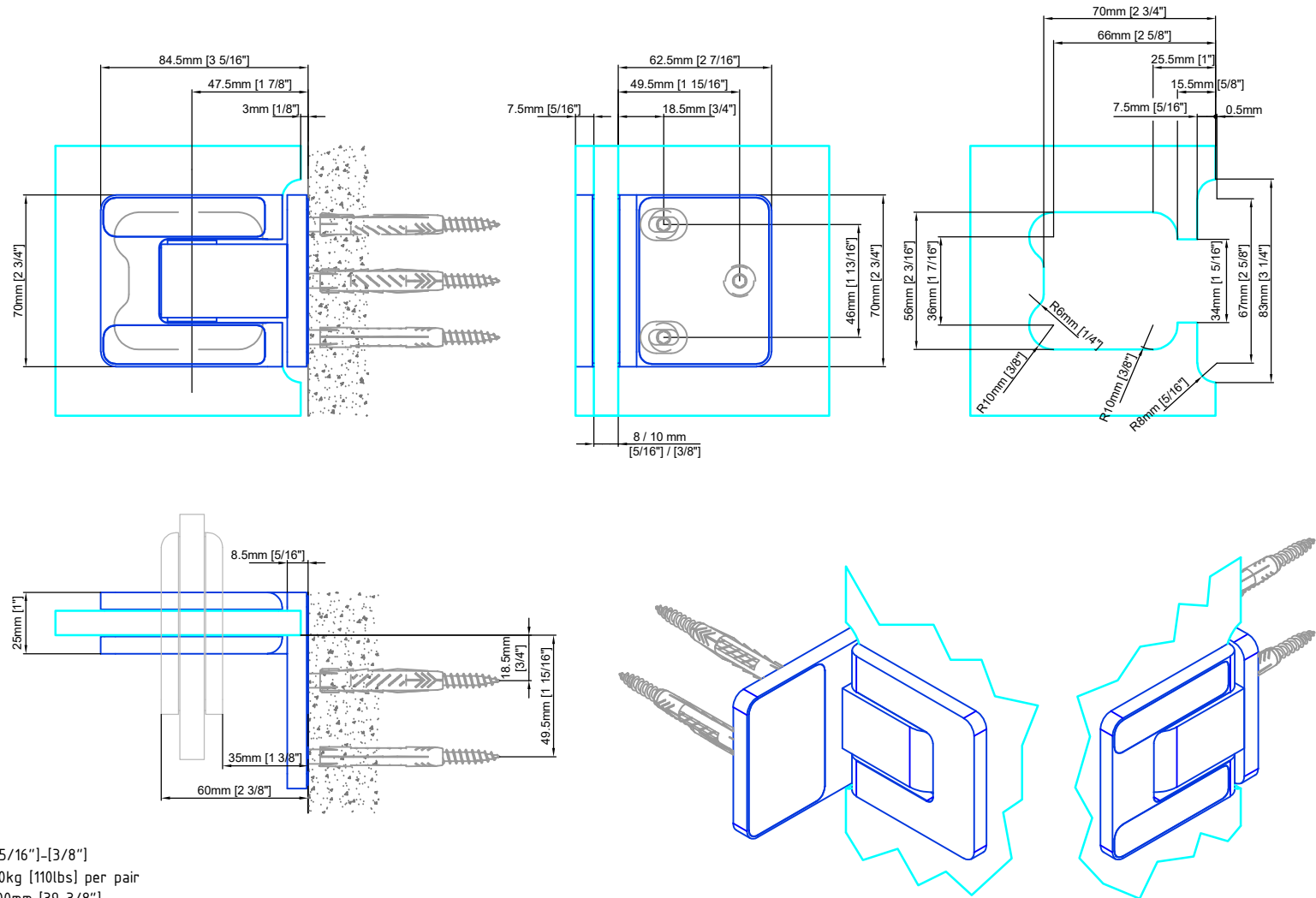
Prepared By: AB



Email: sales@mwe-na.com
www.mwe-na.com

Technical drawings are subject to change without notice.
All millimeter dimensions are exact and supersede inch conversions.

Copyright MWE NA Inc., all rights reserved. Reproduction or other use of these designs without written consent from MWE NA Inc. is prohibited.



Glass Thickness: 8-10mm [5/16\"-][3/8\"
Max. Door Leaf Weight= 50kg [110lbs] per pair
Max. Door Leaf Width= 1000mm [39 3/8\"

Recommendation:
From a door leaf height of 2600mm [102 3/8\"], please use 3 door hinges.
Installation of the additional door hinge in the upper third of the door.

Shower Hinge Agitus M (glass-wall connection)

PT.7212 without seal

Date Prepared: July 2023

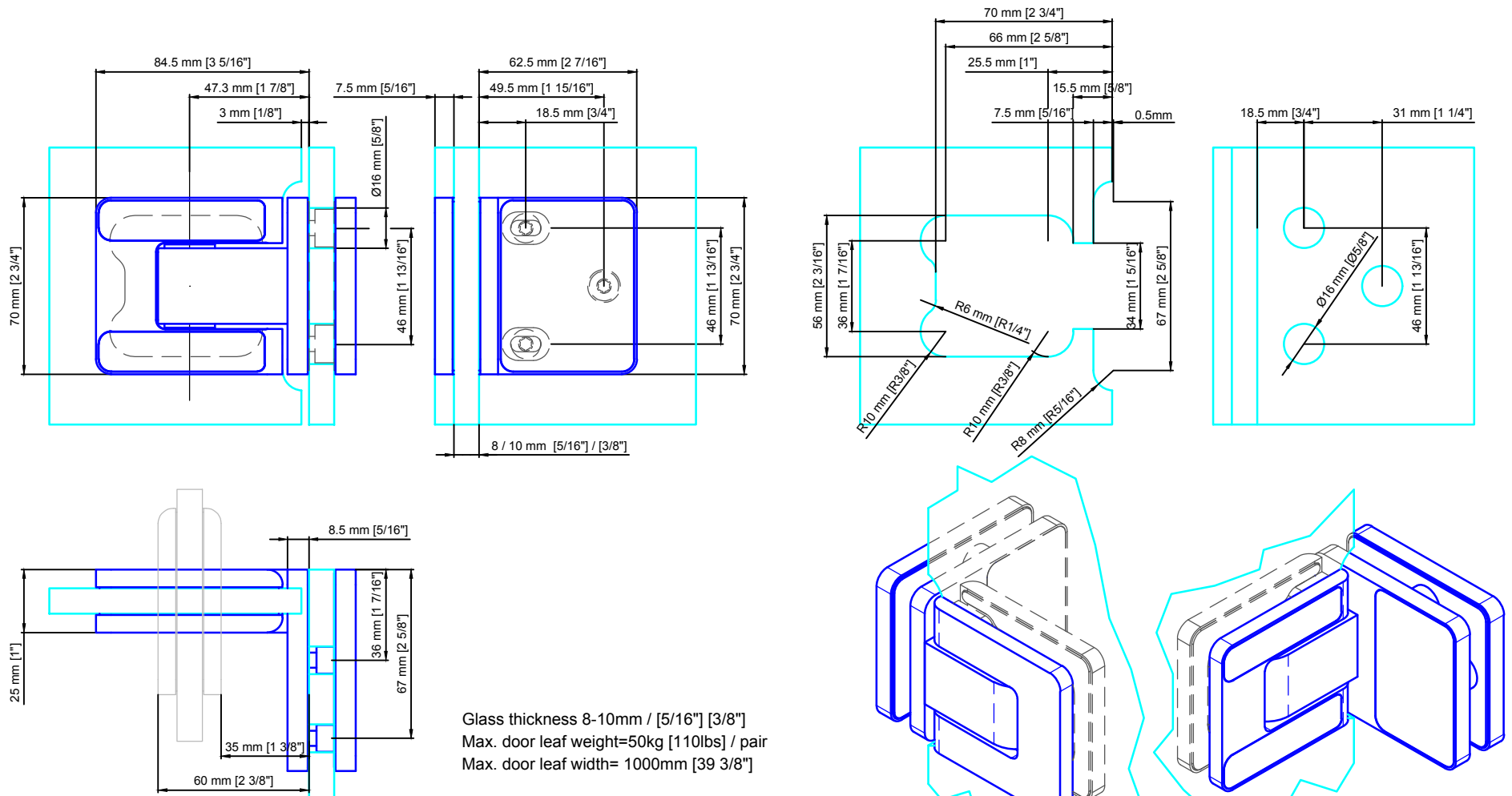
Prepared By: AB

MWE[®]
Stainless Steel Manufacturer
NORTH AMERICA

Email: sales@mwe-na.com
www.mwe-na.com

Technical drawings are subject to change without notice.
All millimeter dimensions are exact and supersede inch conversions.

Copyright MWE NA Inc., all rights reserved. Reproduction or other use of these designs without written consent from MWE NA Inc. is prohibited.



Glass thickness 8-10mm / [5/16"] [3/8"]
Max. door leaf weight=50kg [110lbs] / pair
Max. door leaf width= 1000mm [39 3/8"]

*Please note the manufacturer's specifications for the seal.
This measure may vary.

Recommendation:
From a door leaf height of 2600mm [102 3/8"], please use 3 door hinges. Installation of the additional door hinge in the upper third of the door.

Agitus M

PT.7213_without seal

Date Prepared: July 2023

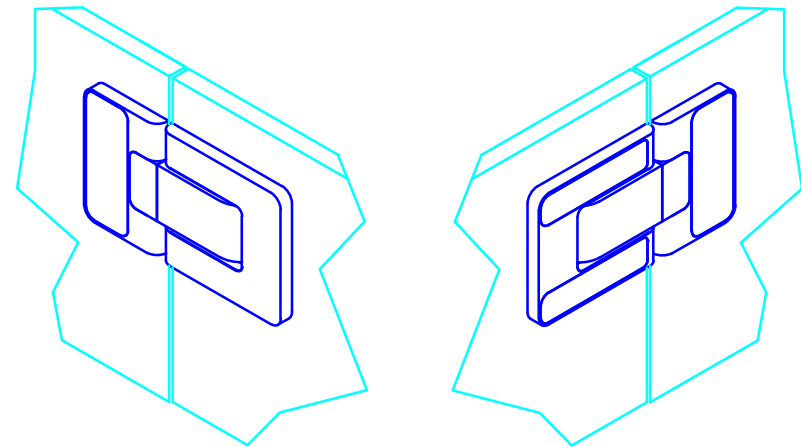
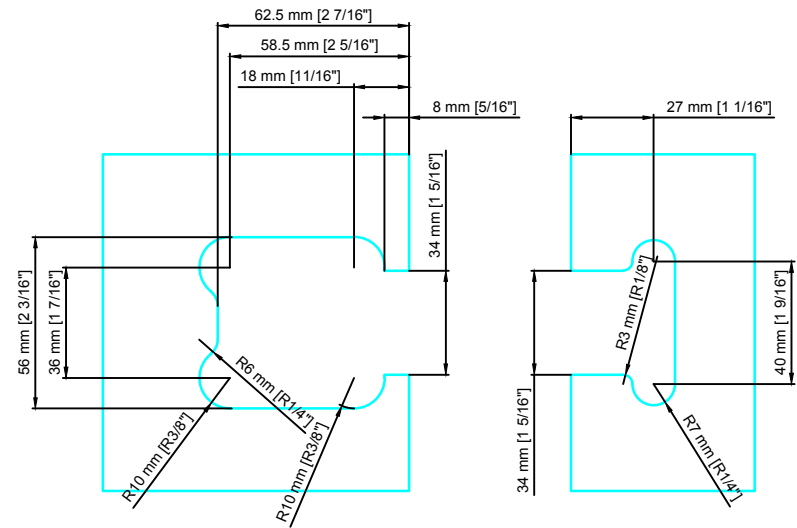
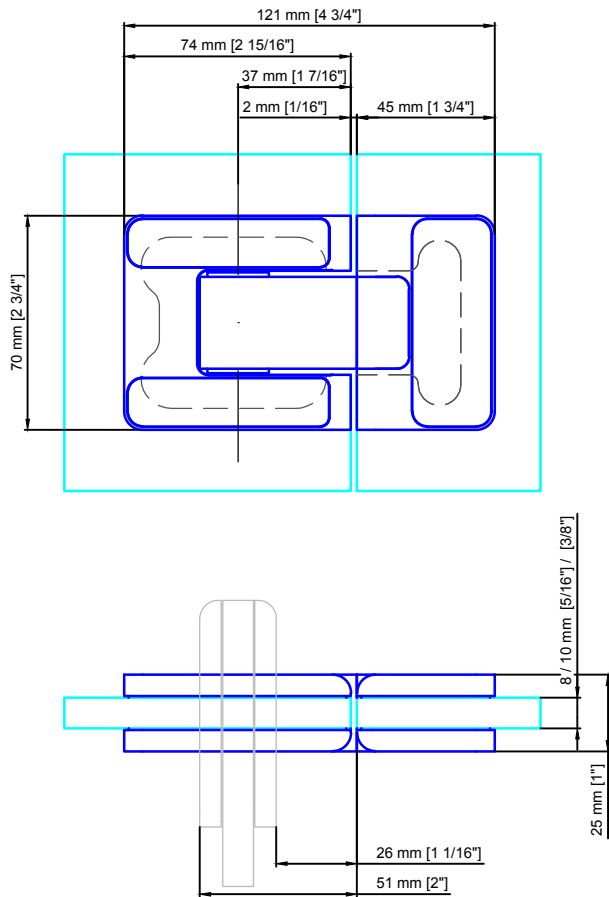
Prepared By: AB



Email: sales@mwe-na.com
www.mwe-na.com

Technical drawings are subject to change without notice.
 All millimeter dimensions are exact and supersede inch conversions.

Copyright MWE NA Inc., all rights reserved. Reproduction or other use of these designs without written consent from MWE NA Inc. is prohibited.



Glass thickness 8-10mm / [5/16"] [3/8"]
 Max. door leaf weight=50kg [110lbs]/pair
 Max. door leaf width= 1000mm [39 3/8"]

Recommendation:
 From a door leaf height of 2600mm [102 3/8"], please use 3 door hinges. Installation of the additional door hinge in the upper third of the door.

Agitus M

PT.7214 without seal

Date Prepared: July 2023

Prepared By: AB

MWE[®]
 Stainless Steel Manufacturer
 NORTH AMERICA
 Email: sales@mwe-na.com
www.mwe-na.com