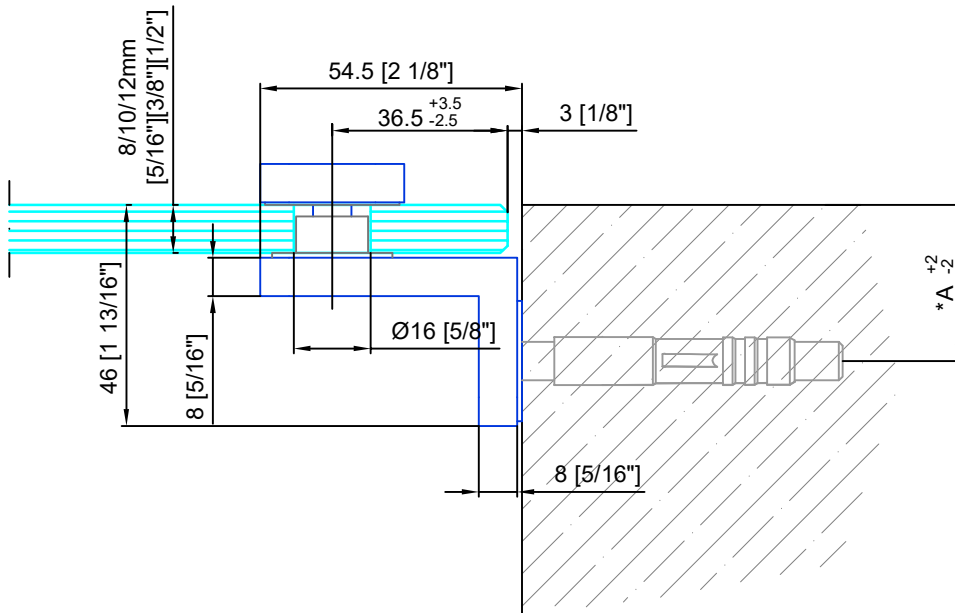
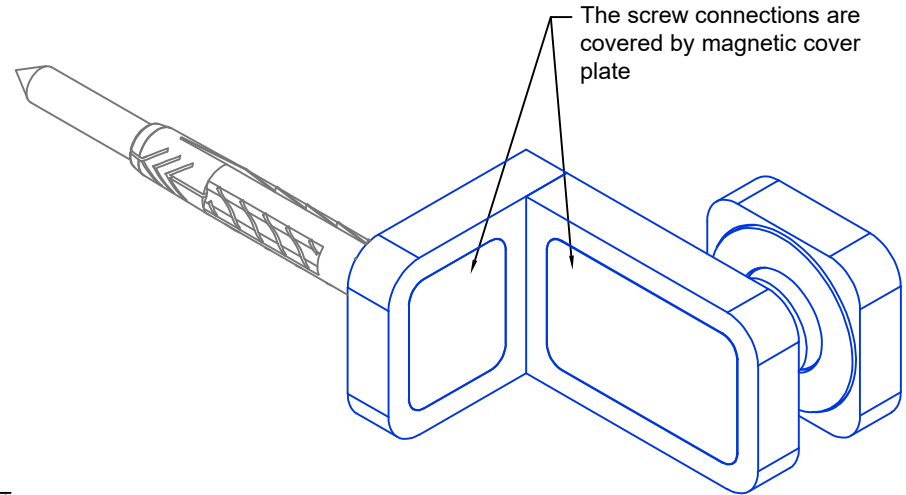
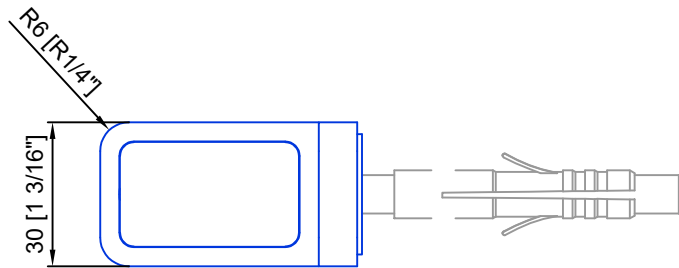


Technical drawings are subject to change without notice.
 All millimeter dimensions are exact and supersede inch conversions.

Copyright MWE NA Inc. all rights reserved. Reproduction or other use of these designs
 without written consent from MWE NA Inc. is prohibited.

Dims shown= mm [in]



Glass	*A
8mm [5/16"]	30.5mm [1 3/16"]
10mm [3/8"]	32.5mm [1 1/4"]
12mm [1/2"]	34.5mm [1 3/8"]

Wall-glass corner connector

DU.3301.PH

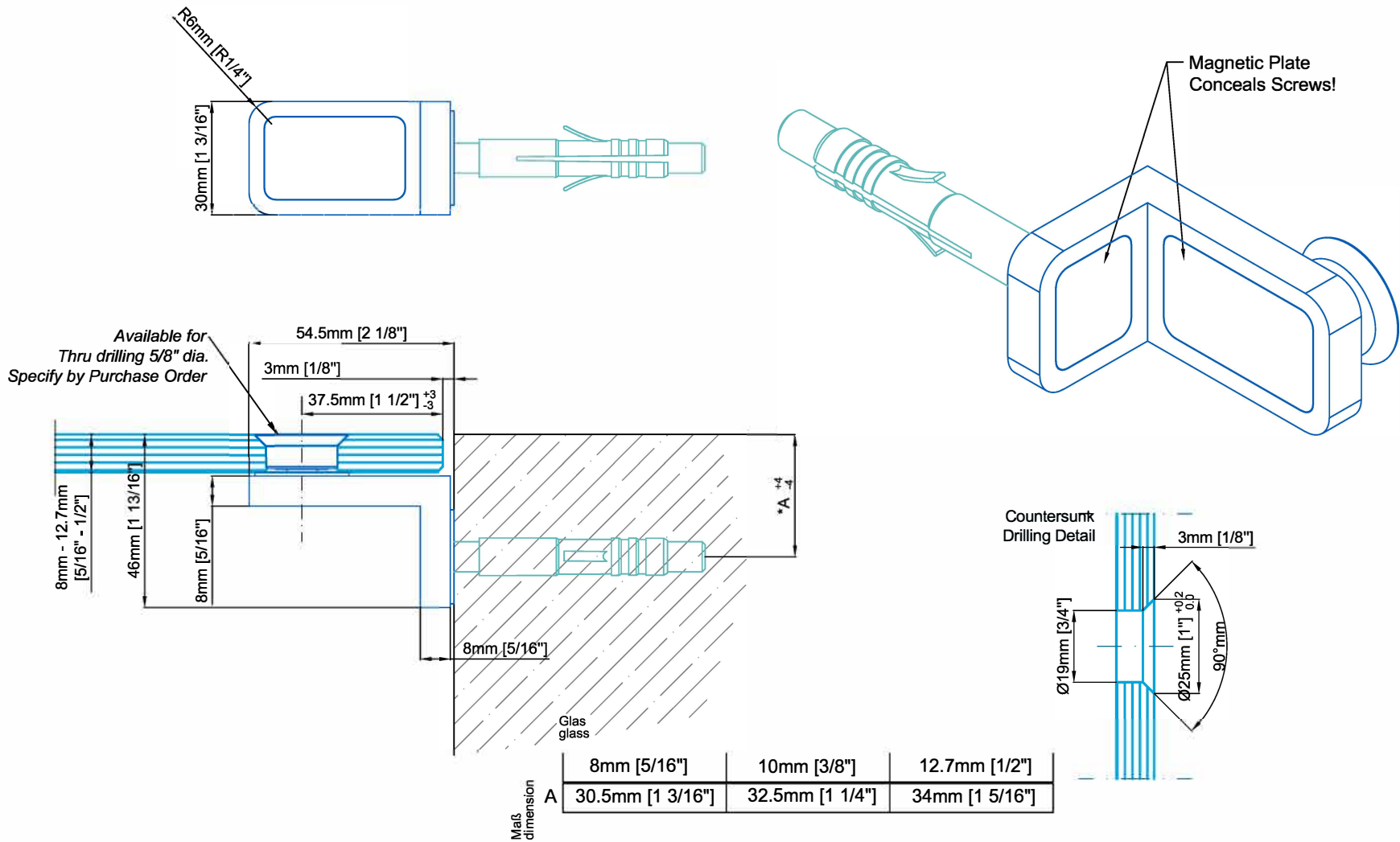
Date Prepared: January 2023

Prepared By: AB

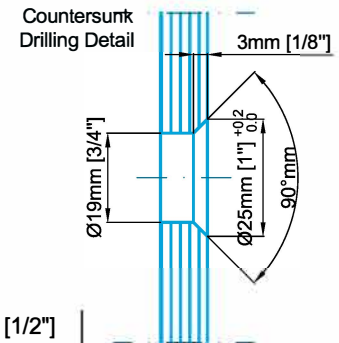
MWE[®]
 Stainless Steel Manufacturer
 NORTH AMERICA
 Email: sales@mwe-na.com
www.mwe-na.com

Technical drawings are subject to change without notice.
All millimeter dimensions are exact and supersede inch conversions.

Copyright MWE NA Inc., all rights reserved. Reproduction or other use
of these designs without written consent from MWE NA Inc. is prohibited.



Magnetic Plate
Conceals Screws!



MWE NA NETWORK_Specs_2020 Specs

GLASS FASTENER [DU.3301] countersunk

Date Prepared: September 2020

MWE[®]
Stainless Steel Manufacturer
NORTH AMERICA

Email: sales@mwe-na.com
www.mwe-na.com