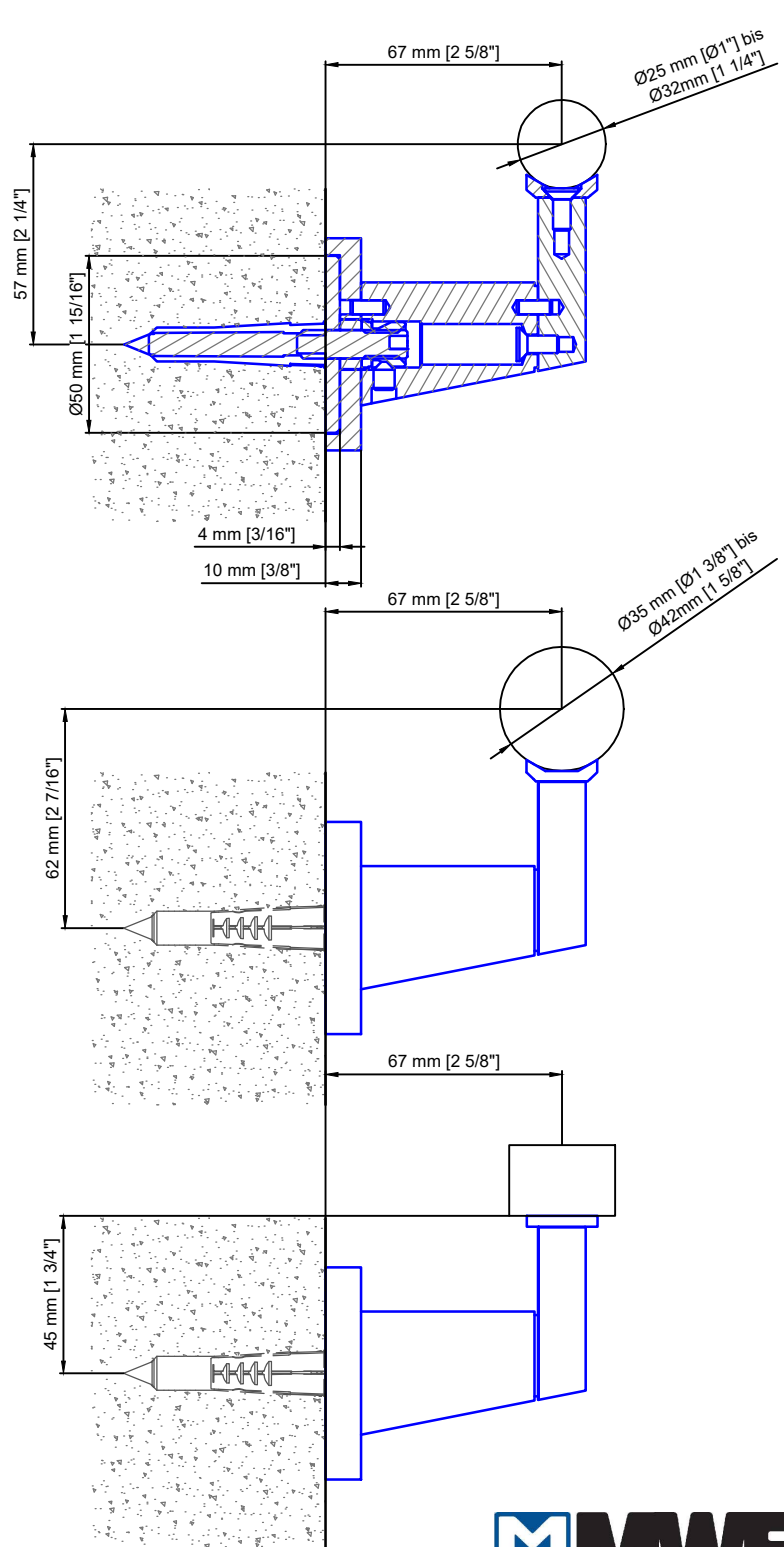
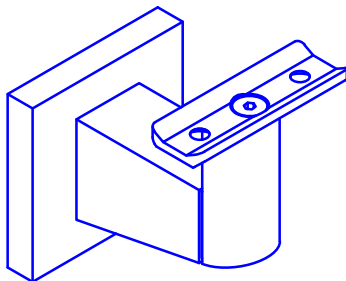
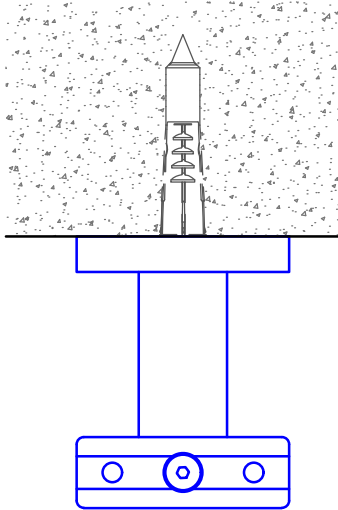
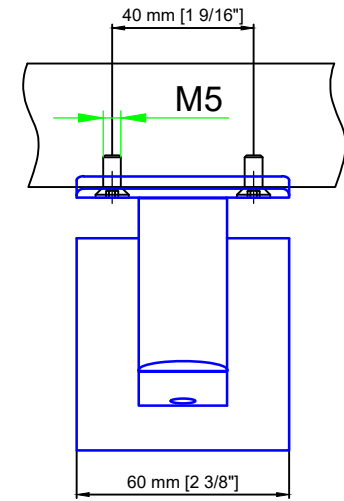


Technical drawings are subject to change without notice.  
 All millimeter dimensions are exact and supersede inch conversions.

Copyright MWE NA Inc., all rights reserved. Reproduction or other use of these designs  
 without written consent from MWE NA Inc. is prohibited.



# Concept D

## HH.8010

Date Prepared: October 2023

Prepared By: AB

**MWE**<sup>®</sup>  
 Stainless Steel Manufacturer  
 NORTH AMERICA  
 Email: [sales@mwe-na.com](mailto:sales@mwe-na.com)  
[www.mwe-na.com](http://www.mwe-na.com)