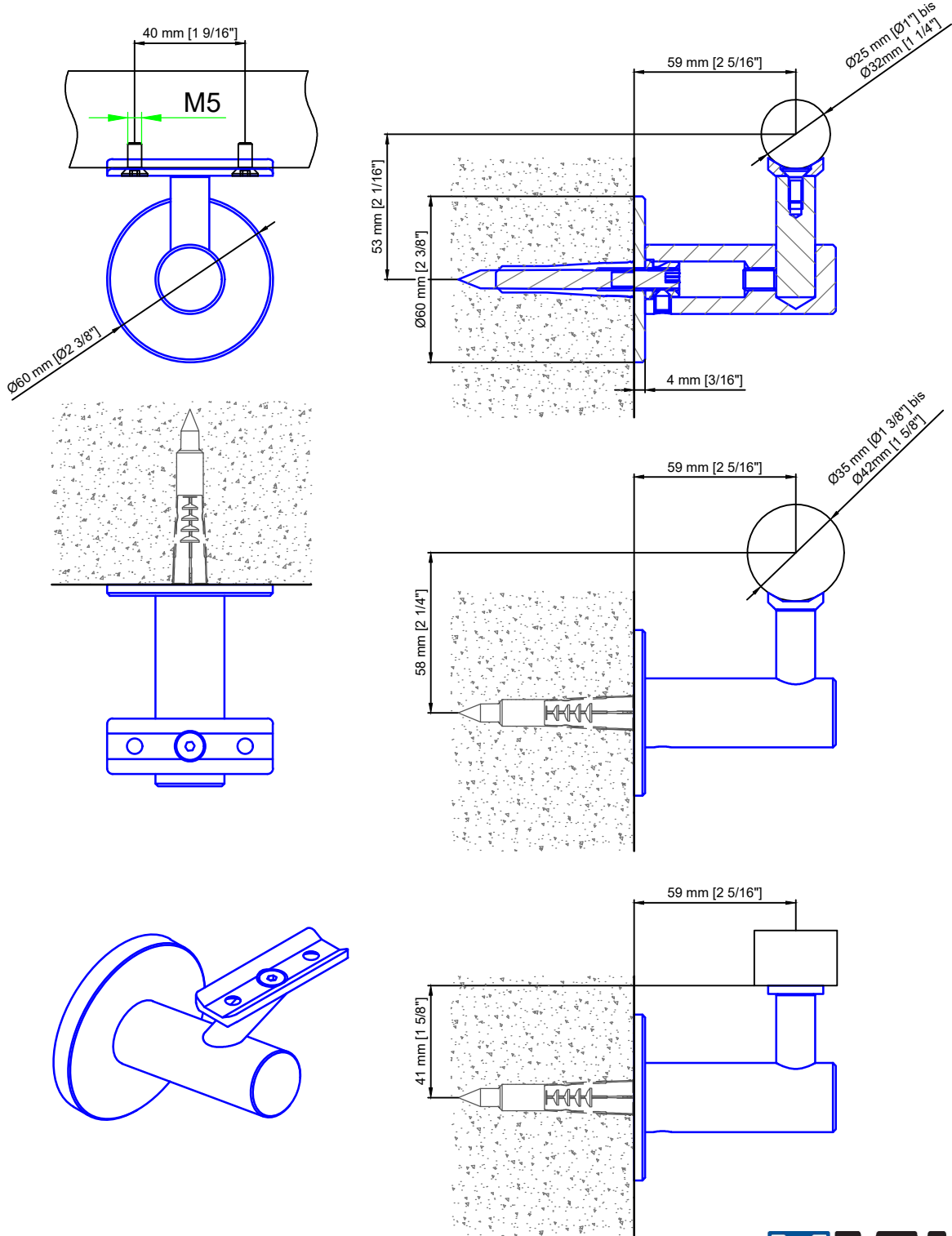


Technical drawings are subject to change without notice.
 All millimeter dimensions are exact and supersede inch conversions.

Copyright MWE NA Inc., all rights reserved. Reproduction or other use of these designs
 without written consent from MWE NA Inc. is prohibited.



Concept G

HH.8013

Date Prepared: October 2023

Prepared By: AB

MWE[®]
 Stainless Steel Manufacturer
 NORTH AMERICA
 Email: sales@mwe-na.com
www.mwe-na.com