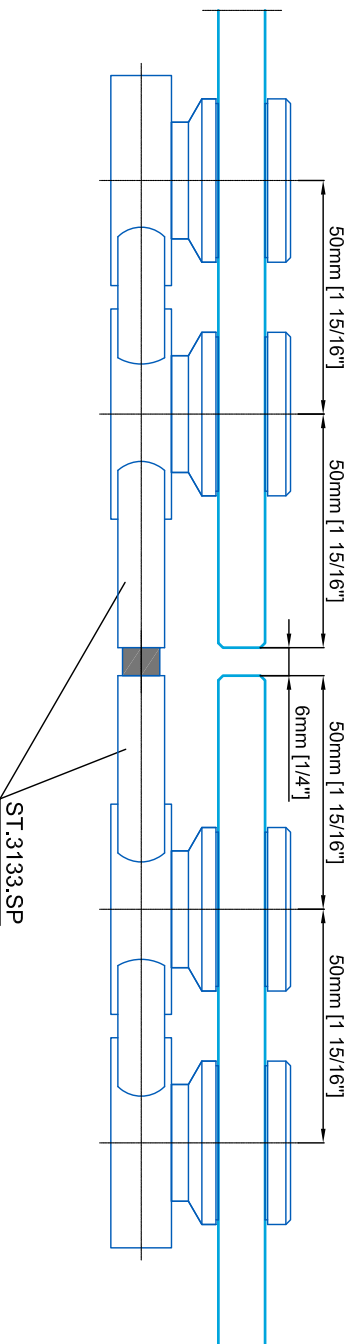
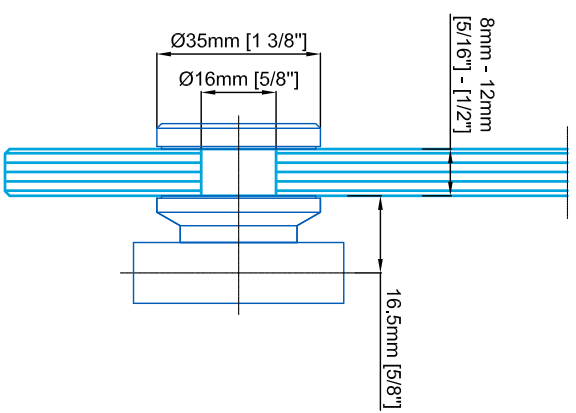
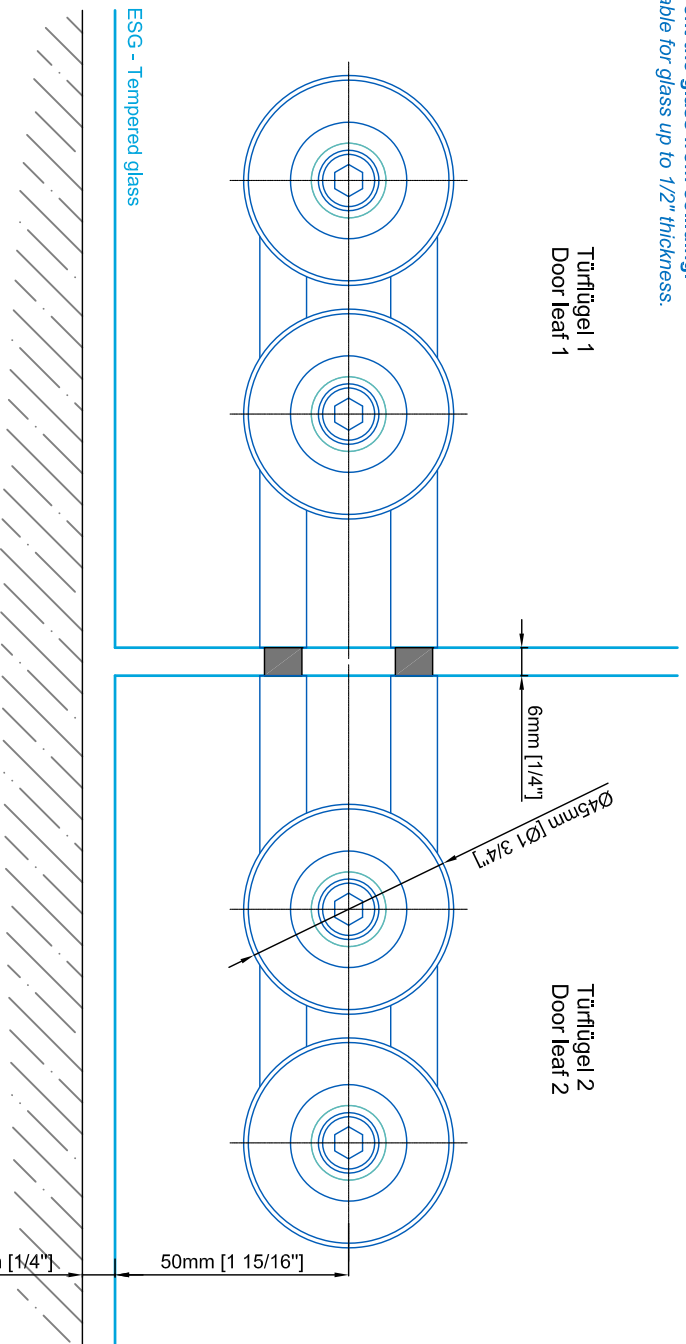


Stopper for glass doors in double bi-part installation to prevent the glass from colliding.
suitable for glass up to 1/2" thickness.

Technical drawings are subject to change without notice.
 All millimeter dimensions are exact and supersede inch conversions.
 Copyright MWE NA Inc., all rights reserved. Reproduction or other use of these designs without written consent from MWE NA Inc. is prohibited.



DOUBLE DOOR STOP [ST.3133.SP] - Späder
 Date Prepared: September 2020



MWE
 NORTH AMERICA
 Tel.: 954-982-6595
 Email: sales@mwe-na.com
www.mwe-na.com