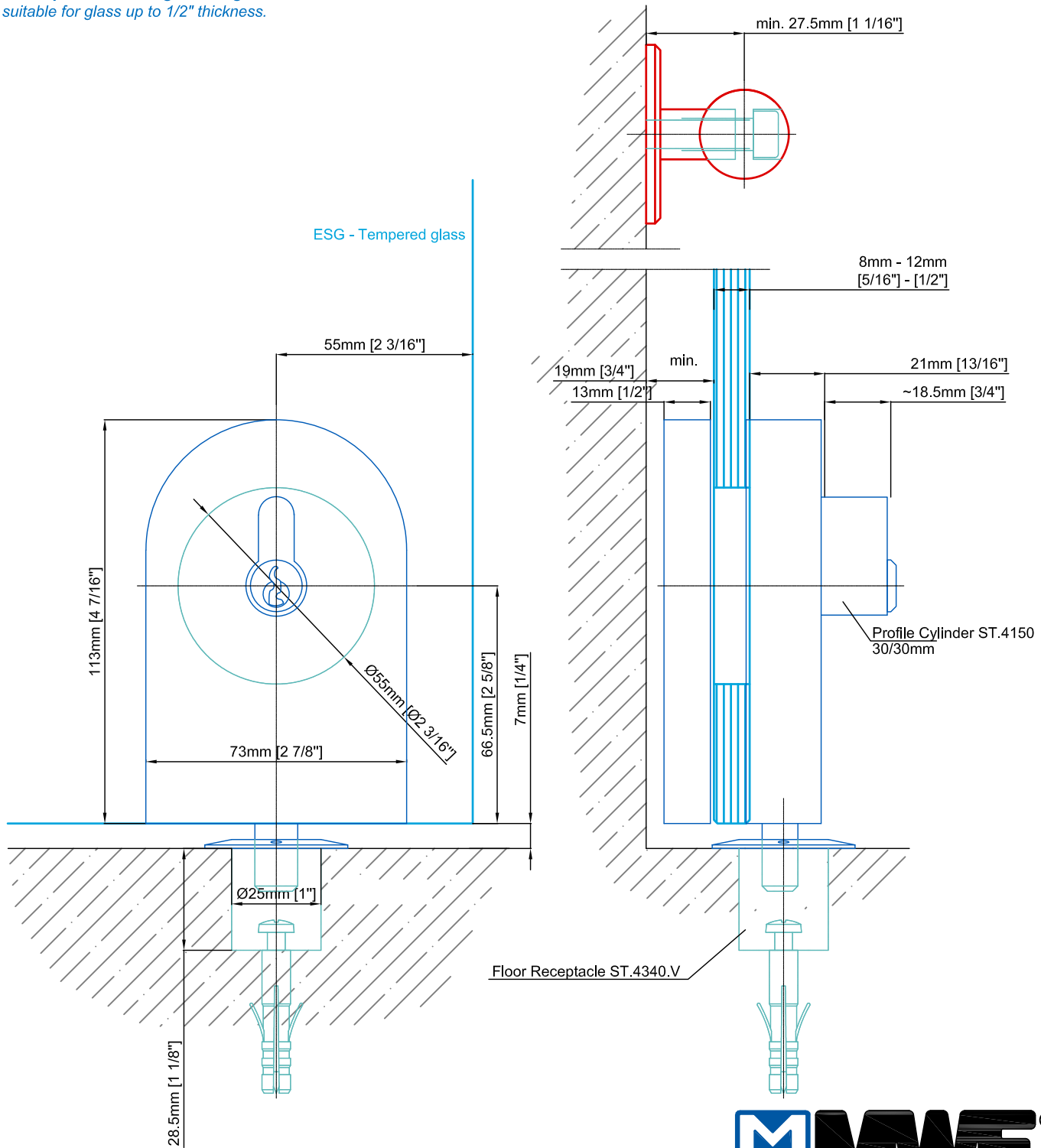


Technical drawings are subject to change without notice.
 All millimeter dimensions are exact and supersede inch conversions.
 Copyright MWE NA Inc., all rights reserved. Reproduction or other use of these
 designs without written consent from MWE NA Inc. is prohibited.

Lock option for sliding or swing doors
 suitable for glass up to 1/2" thickness.



MWE NA NETWORK_Specs_2020 Specs



MWE[®]
 NORTH AMERICA
 Tel.: 954-982-6595
 Email: sales@mwe-na.com
www.mwe-na.com