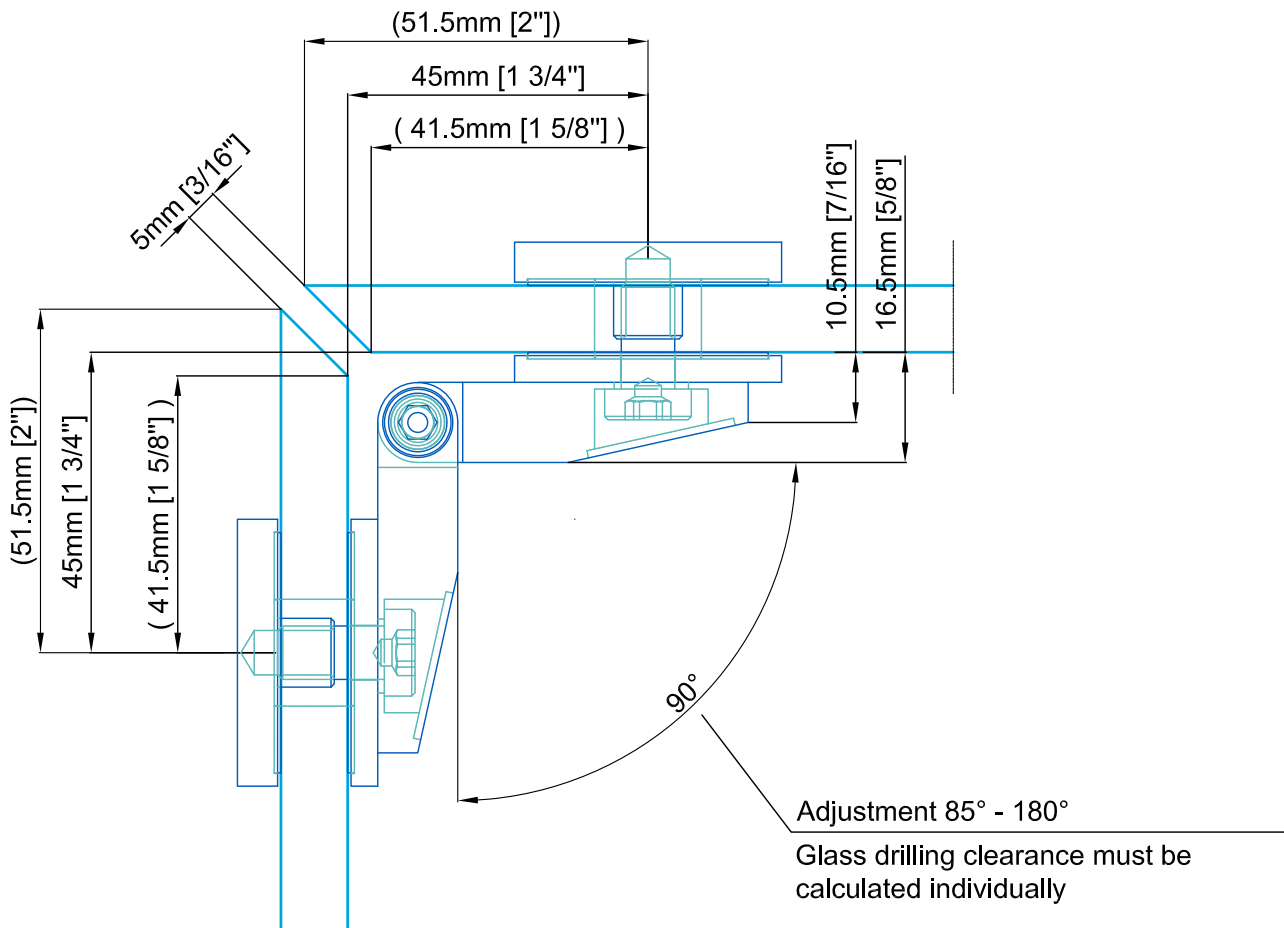
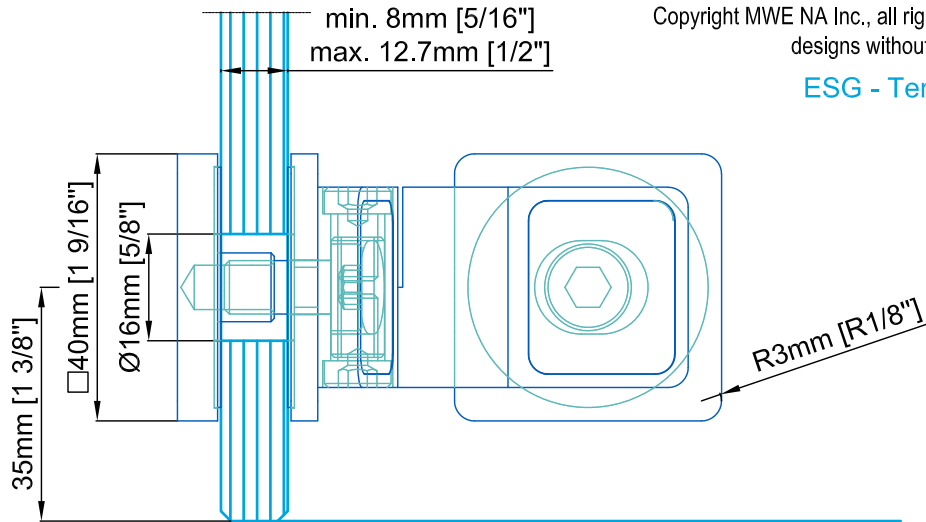


Technical drawings are subject to change without notice.
All millimeter dimensions are exact and supersede inch conversions.

Copyright MWE NA Inc., all rights reserved. Reproduction or other use of these designs without written consent from MWE NA Inc. is prohibited.

ESG - Tempered glass



GLASS FASTENER [ST.7004.AR]

Date Prepared: September 2020



NORTH AMERICA

Tel.: 954-982-6595

Email: sales@mwe-na.com

www.mwe-na.com