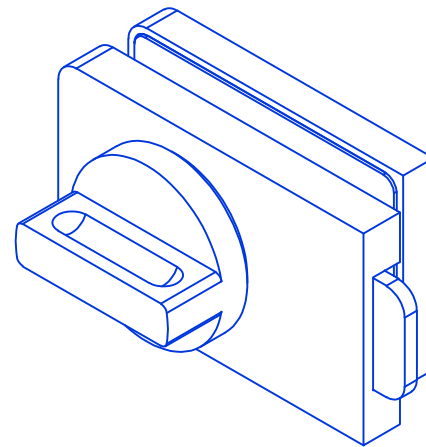
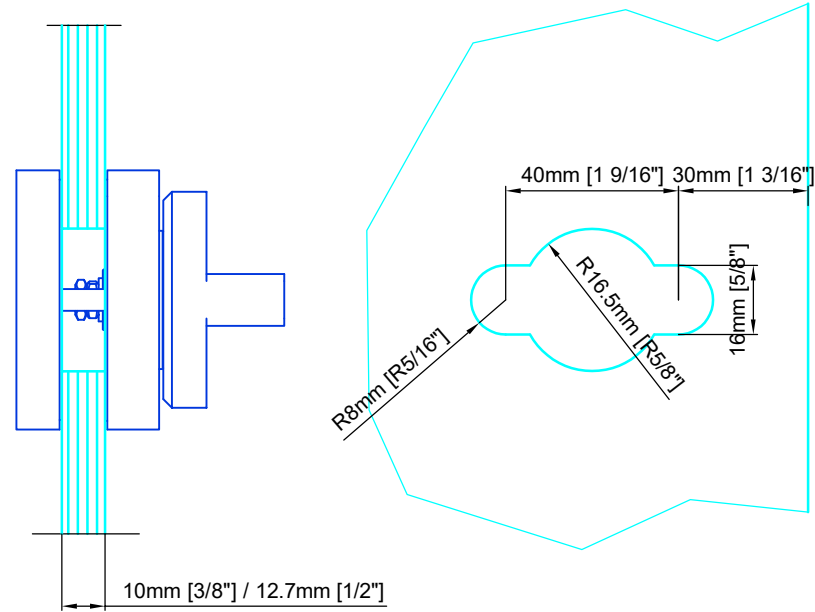
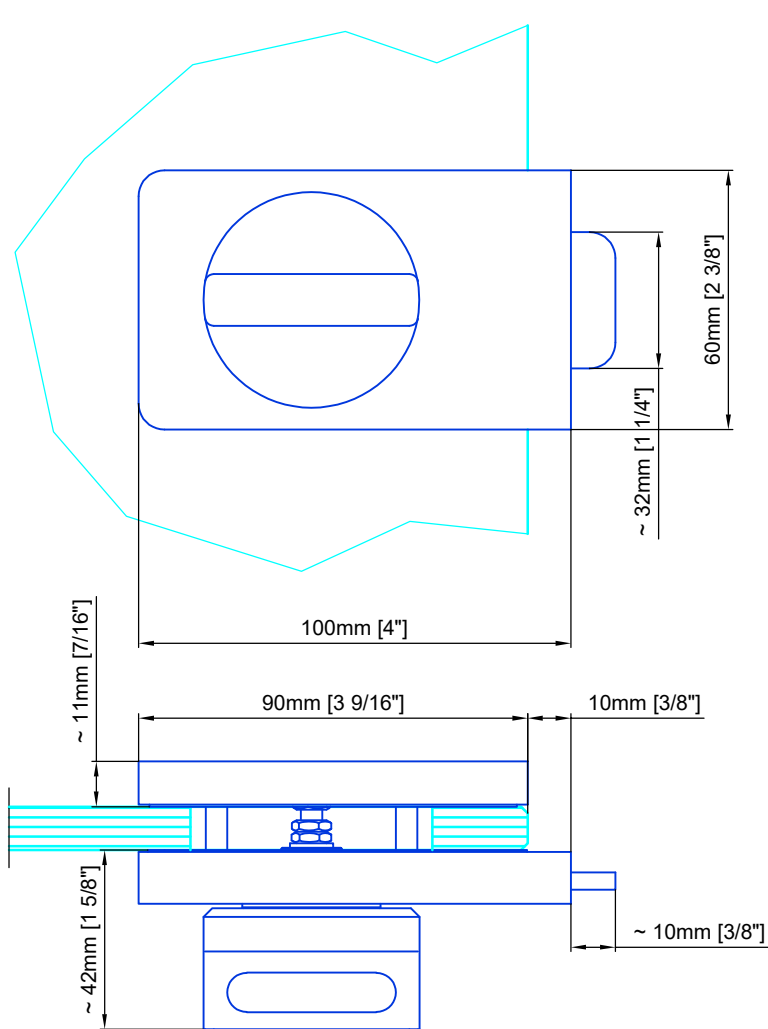


Technical drawings are subject to change without notice.  
All millimeter dimensions are exact and supersede inch conversions.

Copyright MWE NA Inc., all rights reserved. Reproduction or other use of these designs  
without written consent from MWE NA Inc. is prohibited.



# Cabin Lock Korall 2

KT.8850

Date Prepared: December 2022

Prepared By: AB

**MWE**<sup>®</sup>  
Stainless Steel Manufacturer  
NORTH AMERICA

Email: [sales@mwe-na.com](mailto:sales@mwe-na.com)  
[www.mwe-na.com](http://www.mwe-na.com)