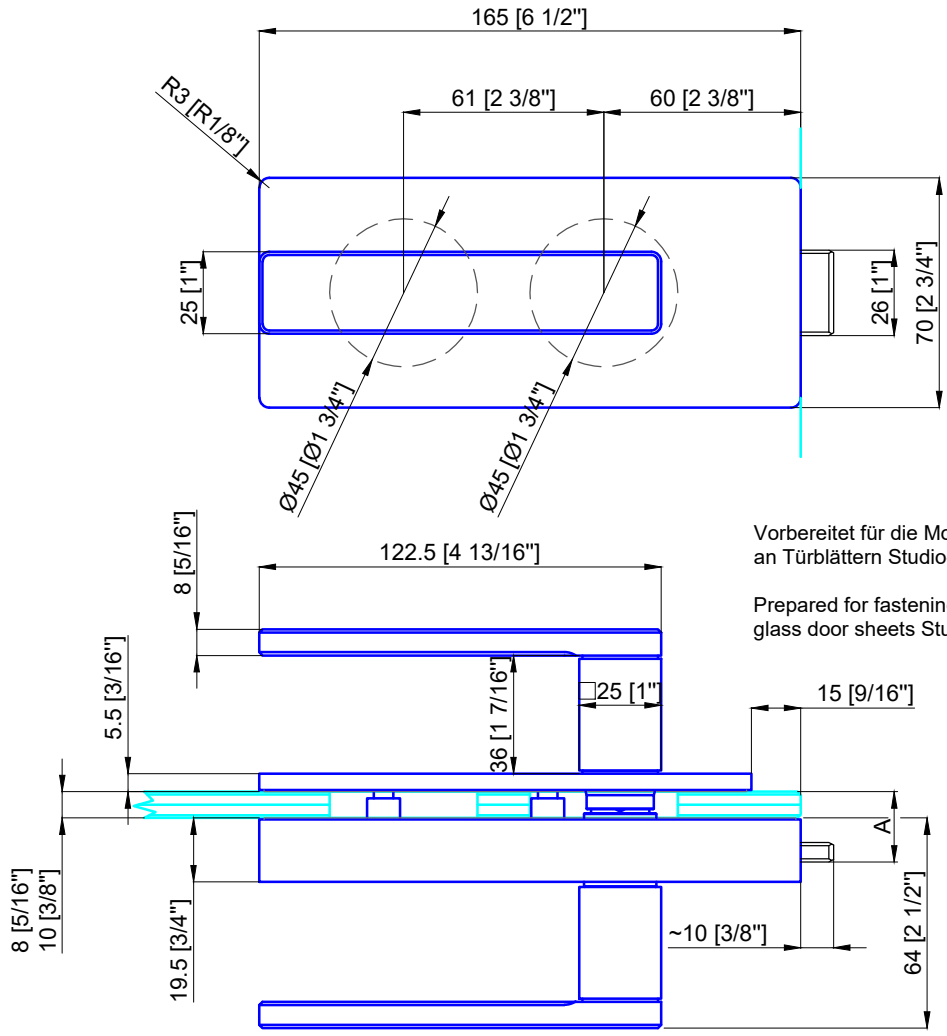


Technical drawings are subject to change without notice.  
 All millimeter dimensions are exact and supersede inch conversions.

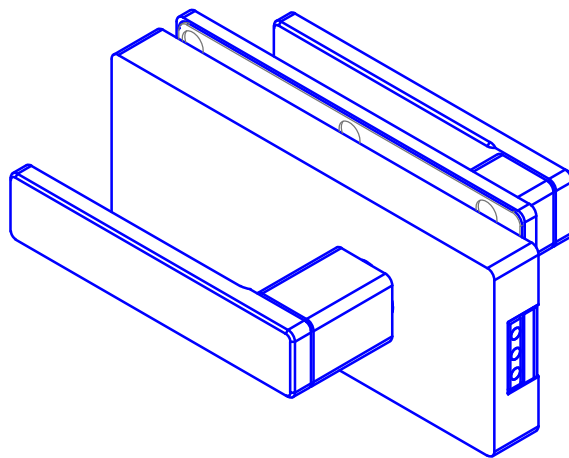
Copyright MWE NA Inc. all rights reserved. Reproduction or other use of these designs  
 without written consent from MWE NA Inc. is prohibited.



Vorbereitet für die Montage  
 an Türblättern Studio-Standard

Prepared for fastening on  
 glass door sheets Studio-Standard

Maß dimension	Glas glass	
	8mm	10mm
A	21.5	23.5



view on door: DIN left

Please specify DIN left or  
 DIN right by purchase order.

## Akzent Evo Magnetic Latch

TD.8656.AE.MF

Date Prepared: August 2024

Prepared By: AB



Stainless Steel Manufacturer  
 NORTH AMERICA

Email: [sales@mwe-na.com](mailto:sales@mwe-na.com)  
[www.mwe-na.com](http://www.mwe-na.com)



NORTH AMERICA

Tel.: 954-982-6595

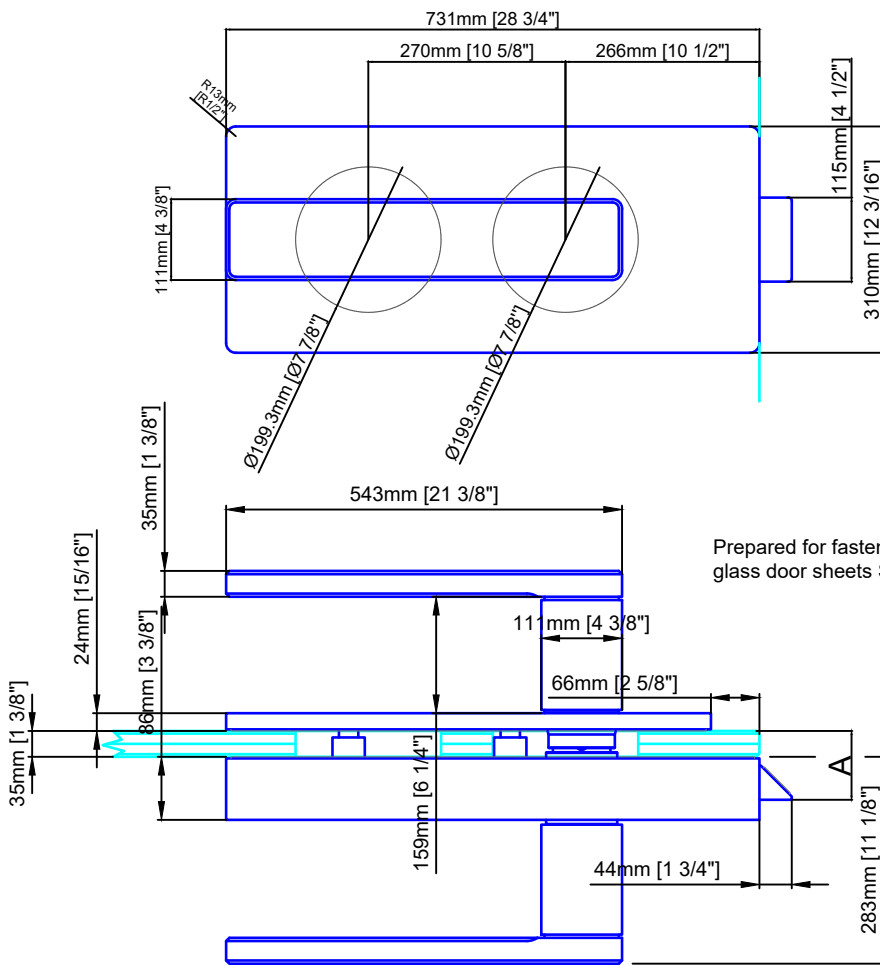
Email: sales@mwe-na.com

[www.mwe-na.com](http://www.mwe-na.com)

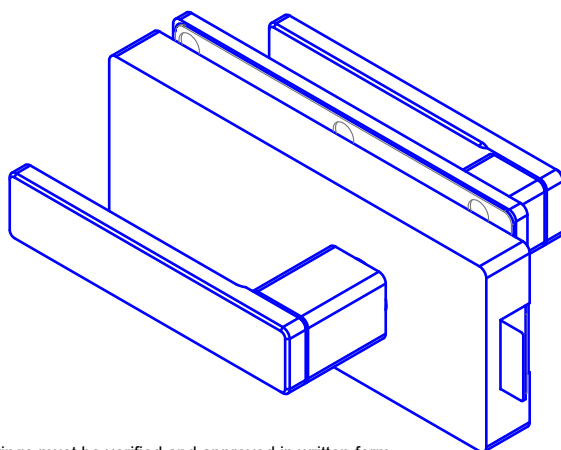
Dealer:	Prepared date: 02.June.2021
Dealer PO Num.:	Revised date:
Prepared by: IJC	Revised date:
MWE NA OC Num.:	PO Num.:

Copyright MWE NA Inc., all rights reserved. Reproduction or other use of these designs without written consent from MWE NA Inc. is prohibited.

technical drawings are subject to change without notice. All millimeter dimensions are exact and supersede inch conversions.



Prepared for fastening on glass door sheets Studio-Standard



Mas dimension	Glas	glass
A	8mm	10mm
	21	23

view on door: DIN left

Please specify DIN left or DIN right by purchase order.

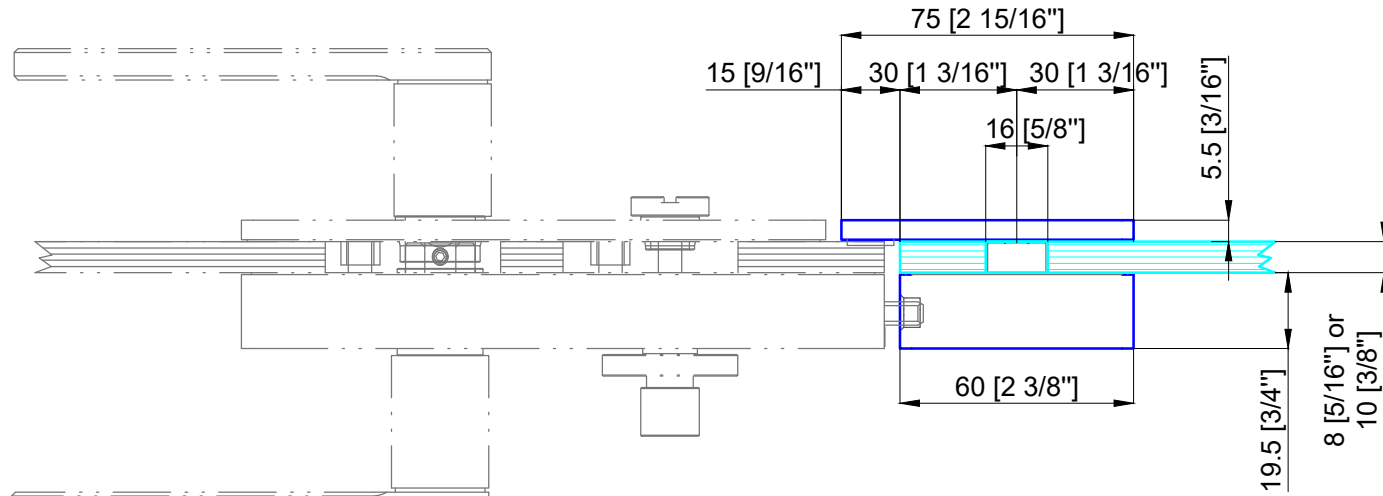
Technical drawings must be verified and approved in written form. MWE NA will not assume liability for the accuracy of these drawings!

Signature: \_\_\_\_\_

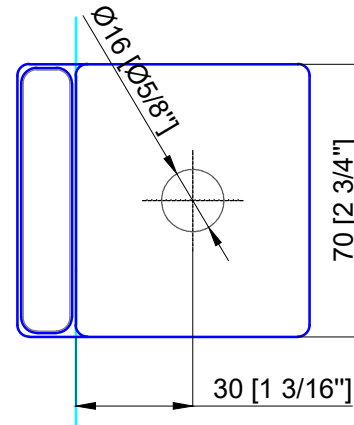
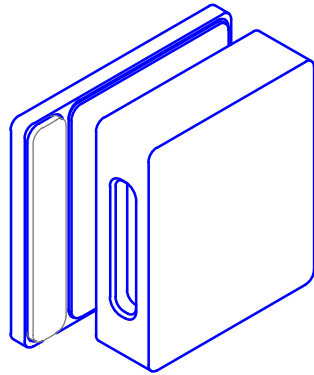
Date: \_\_\_\_\_

Technical drawings are subject to change without notice.  
All millimeter dimensions are exact and supersede inch conversions.

Copyright MWE NA Inc., all rights reserved. Reproduction or other use of these designs without written consent from MWE NA Inc. is prohibited.



Strike box applicable for  
glass doors DIN left and DIN right



## Strike box Akzent Evo SF (magnetic, glass)

TD.8658.AE.MF

Date Prepared: August 2024

Prepared By: AB



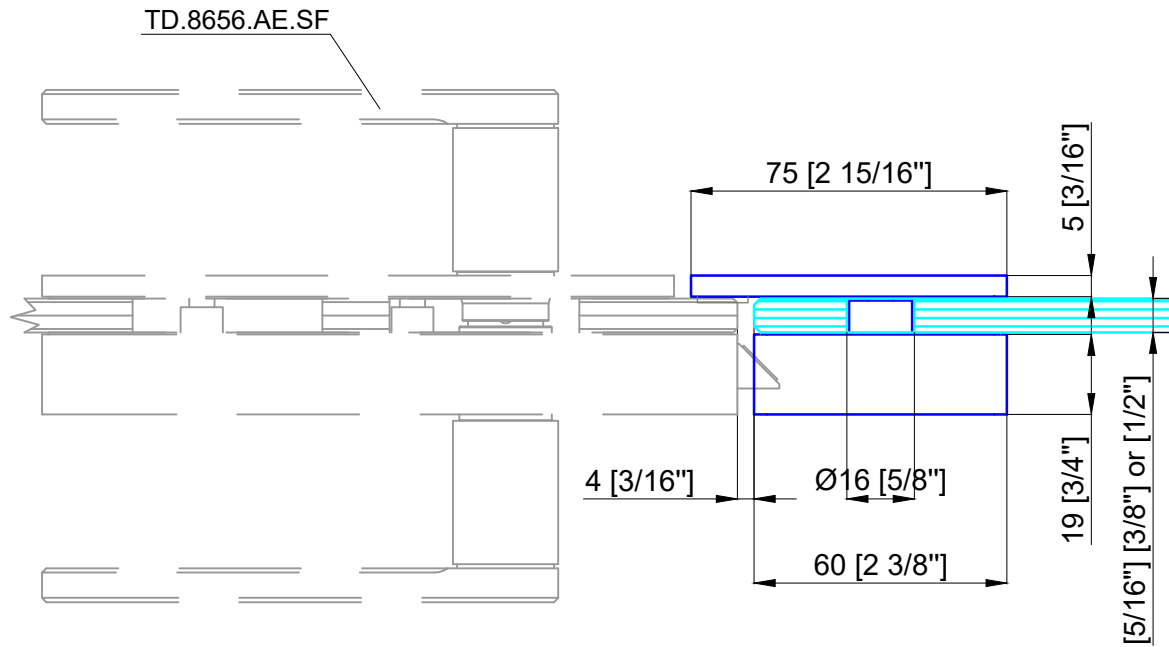
Stainless Steel Manufacturer  
NORTH AMERICA

Email: [sales@mwe-na.com](mailto:sales@mwe-na.com)

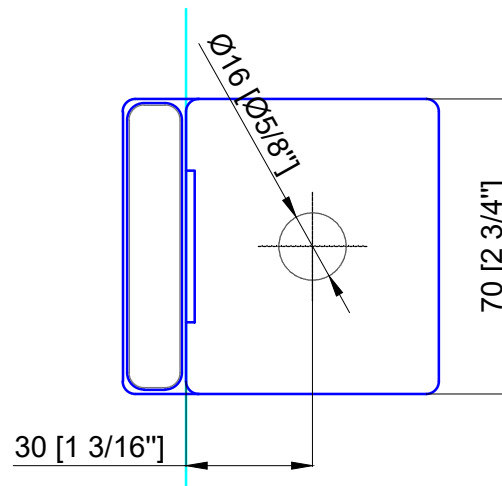
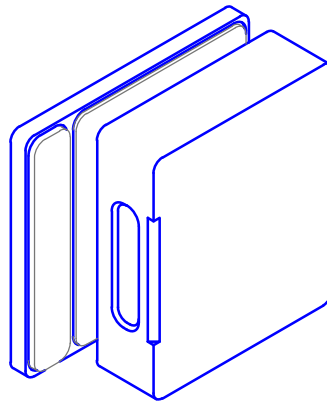
[www.mwe-na.com](http://www.mwe-na.com)

Technical drawings are subject to change without notice.  
All millimeter dimensions are exact and supersede inch conversions.

Copyright MWE NA Inc., all rights reserved. Reproduction or other use of these designs  
without written consent from MWE NA Inc. is prohibited.



Strike box applicable for  
glass doors DIN left and DIN right



## Akzent Evo Strike Plate (glass)

TD.8658.AE.SF

Date Prepared: August 2024

Prepared By: AB



Stainless Steel Manufacturer  
NORTH AMERICA

Email: [sales@mwe-na.com](mailto:sales@mwe-na.com)

[www.mwe-na.com](http://www.mwe-na.com)