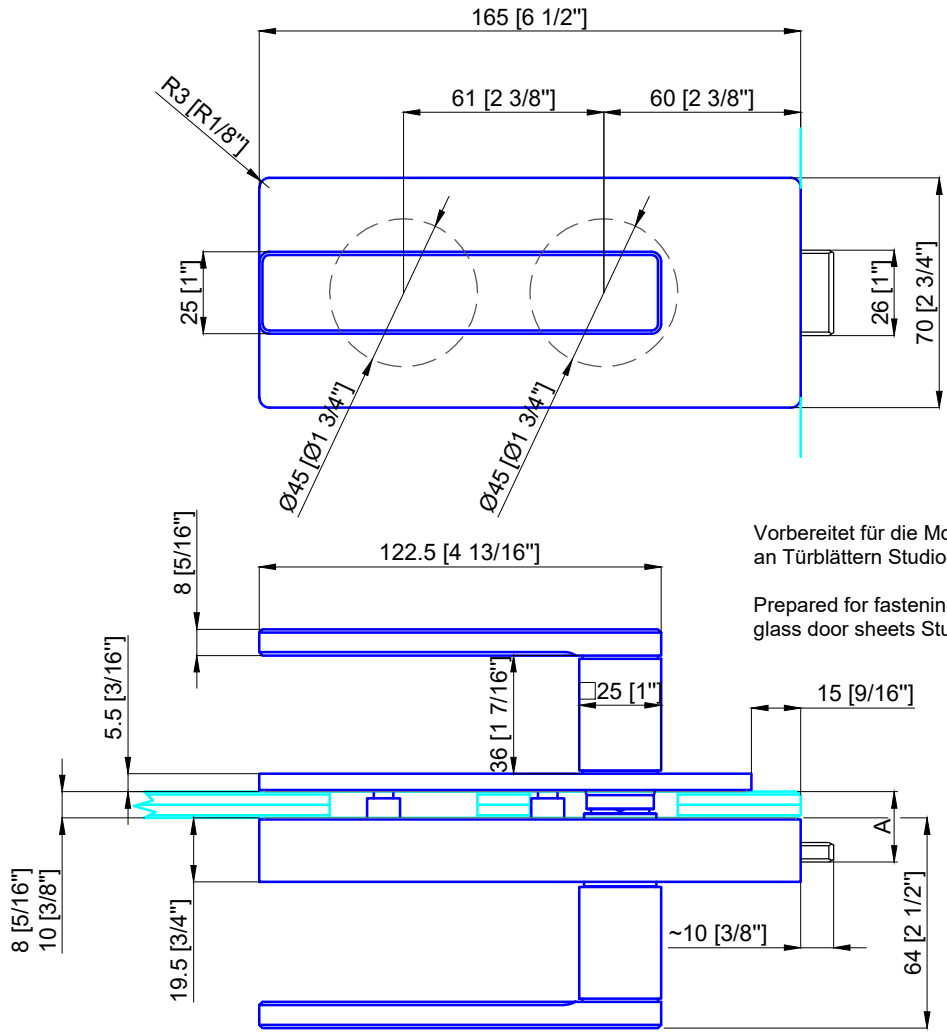


Technical drawings are subject to change without notice.  
 All millimeter dimensions are exact and supersede inch conversions.

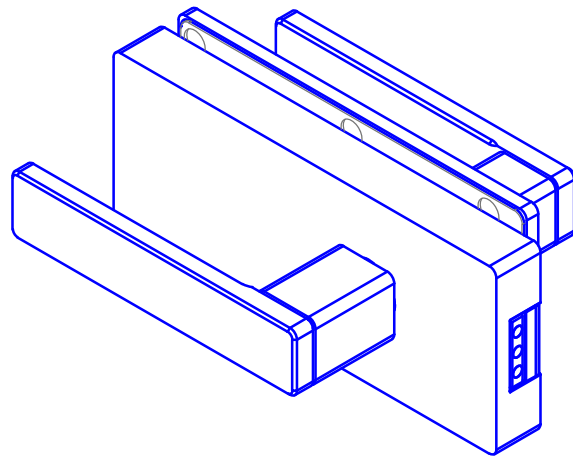
Copyright MWE NA Inc. all rights reserved. Reproduction or other use of these designs  
 without written consent from MWE NA Inc. is prohibited.



Vorbereitet für die Montage  
 an Türblättern Studio-Standard

Prepared for fastening on  
 glass door sheets Studio-Standard

| Maß dimension | Glas glass |      |
|---------------|------------|------|
|               | 8mm        | 10mm |
| A             | 21.5       | 23.5 |



view on door: DIN left

Please specify DIN left or  
 DIN right by purchase order.

# Akzent Evo Magnetic Latch

TD.8656.AE.MF





NORTH AMERICA

Tel.: 954-982-6595

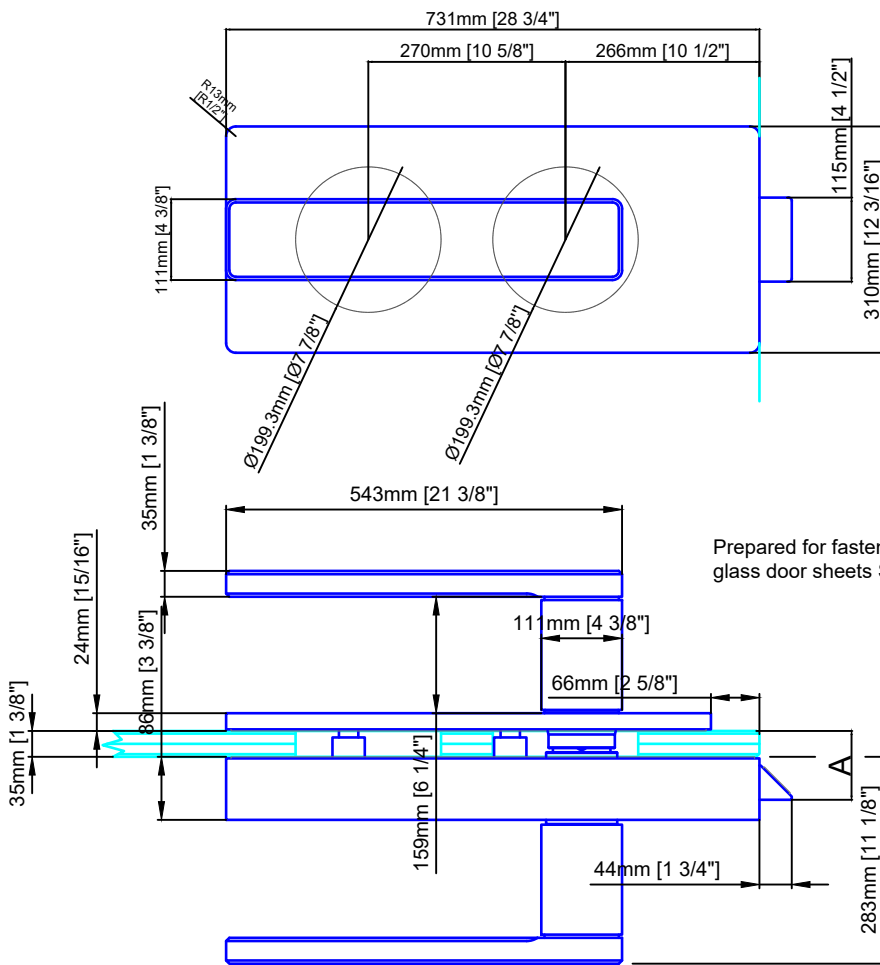
Email: sales@mwe-na.com

[www.mwe-na.com](http://www.mwe-na.com)

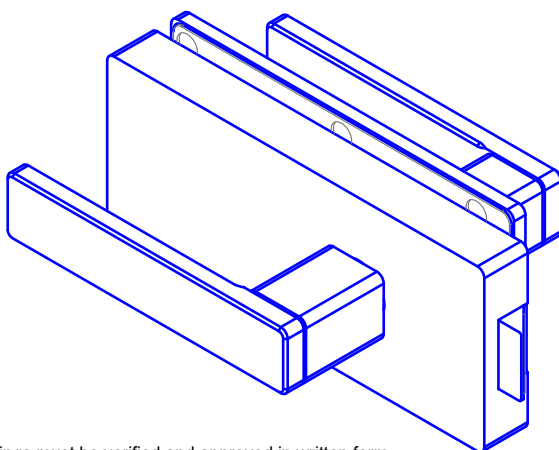
|                     |                                |
|---------------------|--------------------------------|
| Dealer:             | Prepared date:<br>02.June.2021 |
| Dealer PO Num.:     | Revised date:                  |
| Prepared by:<br>IJC | Revised date:                  |
| MWE NA OC Num.:     | PO Num.:                       |

Copyright MWE NA Inc., all rights reserved. Reproduction or other use of these designs without written consent from MWE NA Inc. is prohibited.

technical drawings are subject to change without notice. All millimeter dimensions are exact and supersede inch conversions.



| Maß dimension | Glas glass |      |
|---------------|------------|------|
|               | 8mm        | 10mm |
| A             | 21         | 23   |



view on door: DIN left

Please specify DIN left or DIN right by purchase order.

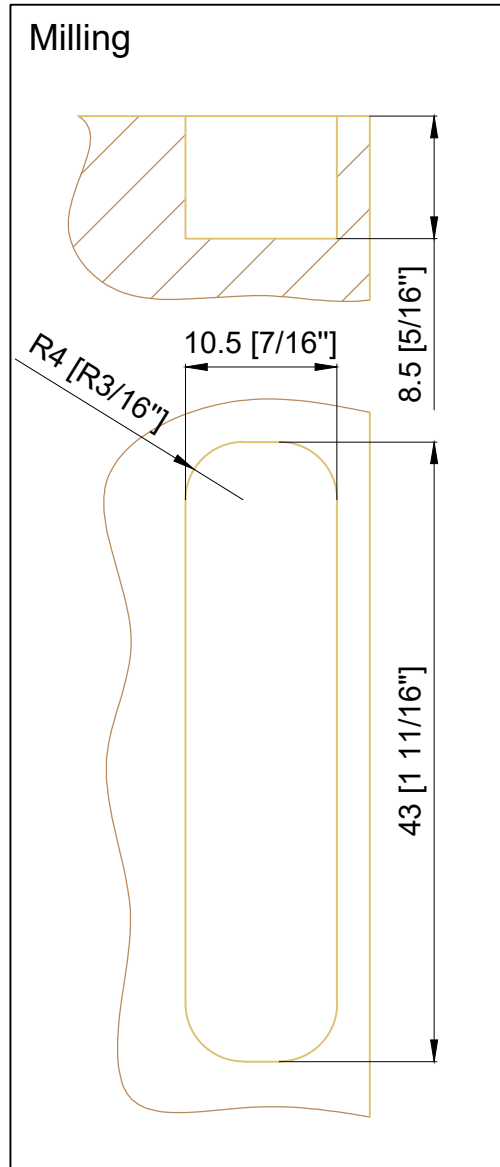
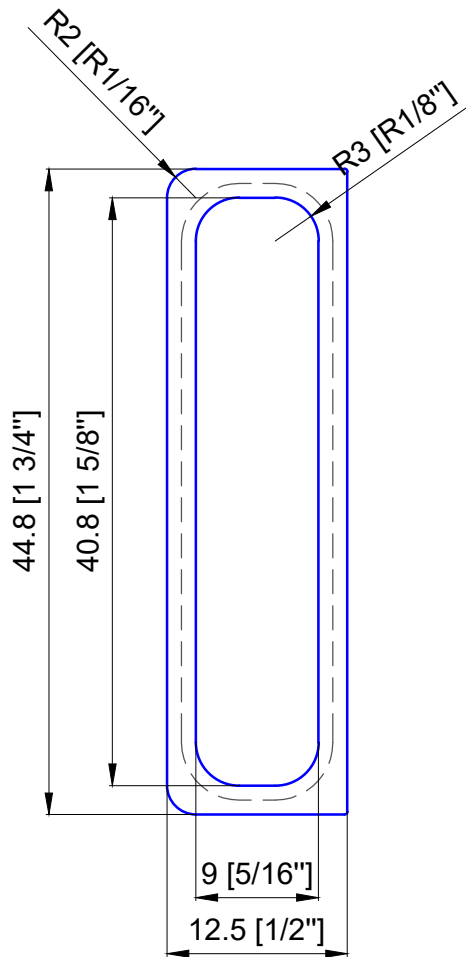
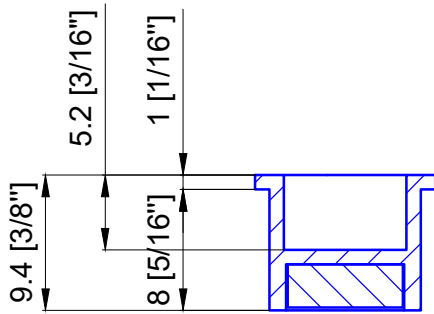
Technical drawings must be verified and approved in written form. MWE NA will not assume liability for the accuracy of these drawings!

Signature: \_\_\_\_\_

Date: \_\_\_\_\_

Technical drawings are subject to change without notice.  
All millimeter dimensions are exact and supersede inch conversions.

Copyright MWE NA Inc., all rights reserved. Reproduction or other use of these designs without written consent from MWE NA Inc. is prohibited.



# Magnetic Strike Plate

TD.8659

Date Prepared: August 2024

Prepared By: AB

 **MWE**<sup>®</sup>  
Stainless Steel Manufacturer  
NORTH AMERICA  
Email: [sales@mwe-na.com](mailto:sales@mwe-na.com)  
[www.mwe-na.com](http://www.mwe-na.com)