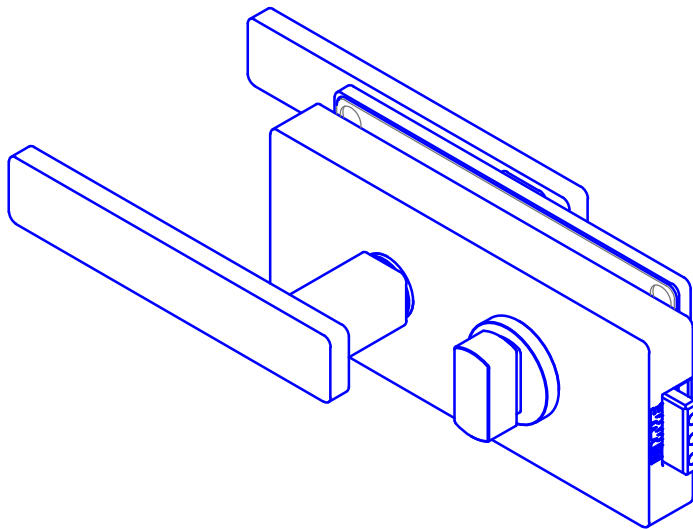
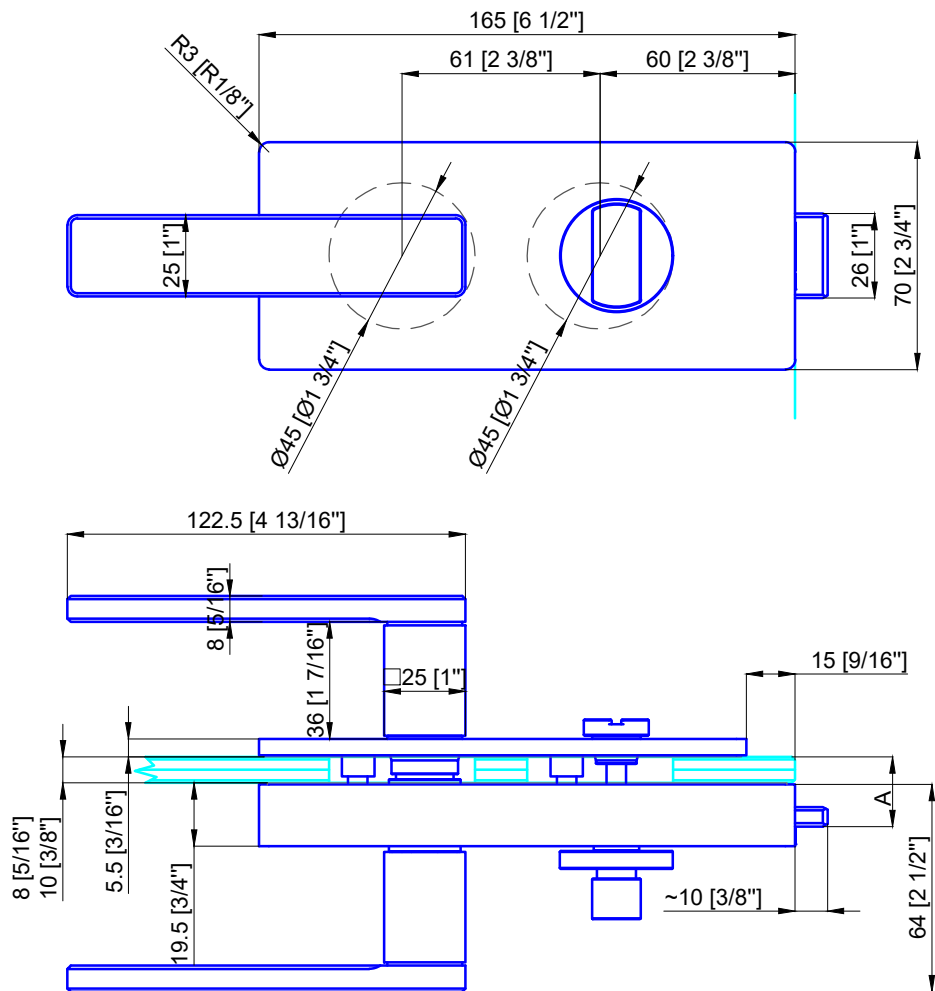


Technical drawings are subject to change without notice.
 All millimeter dimensions are exact and supersede inch conversions.

Copyright MWE NA Inc., all rights reserved. Reproduction or other use of these designs without written consent from MWE NA Inc. is prohibited.



Maß dimension	Glas glass	
	8mm	10mm
A	21.5	23.5

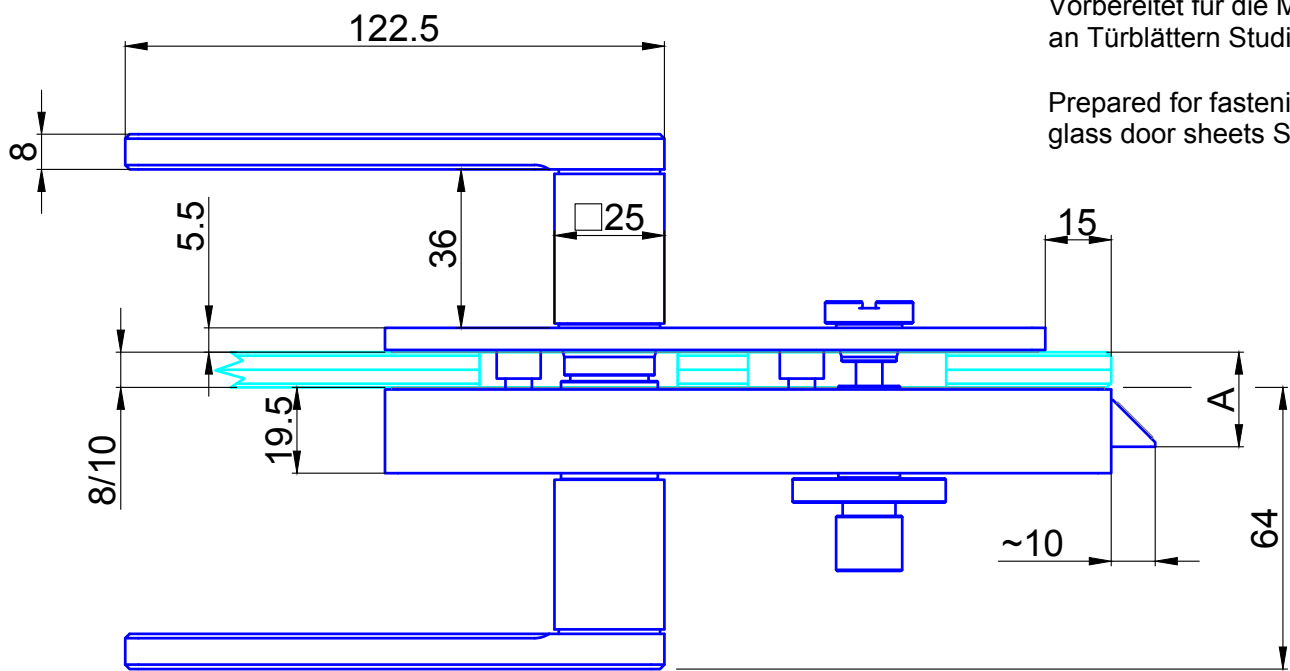
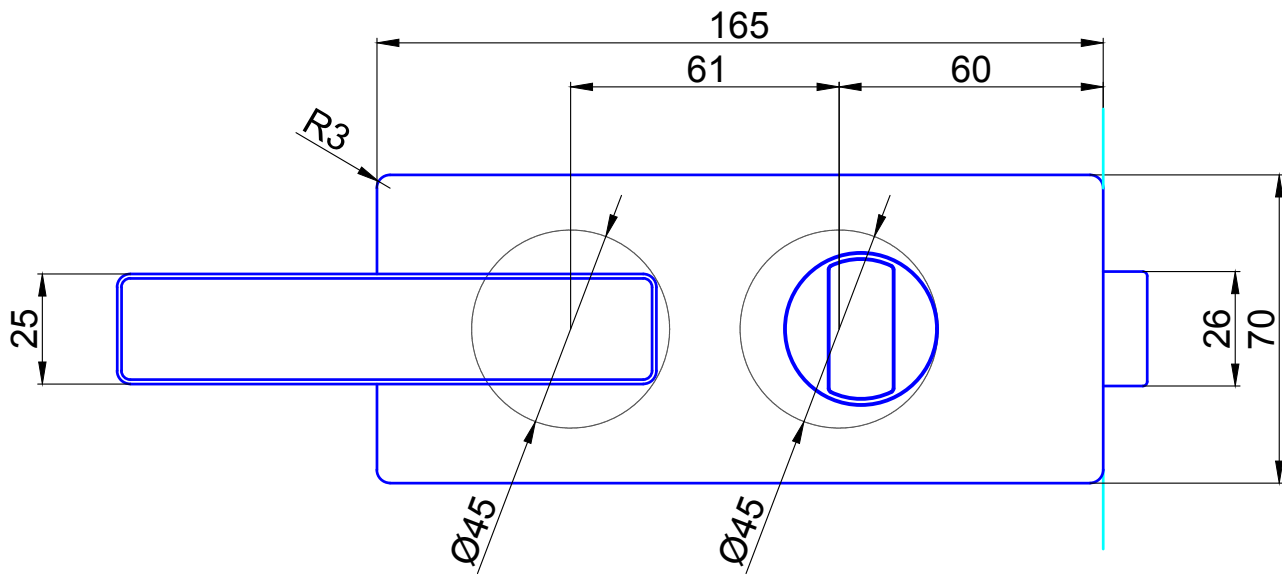
DIN links view on door: DIN left

Please specify DIN left or DIN right by purchase order.

Akzent Evo Magnetic Latch WC

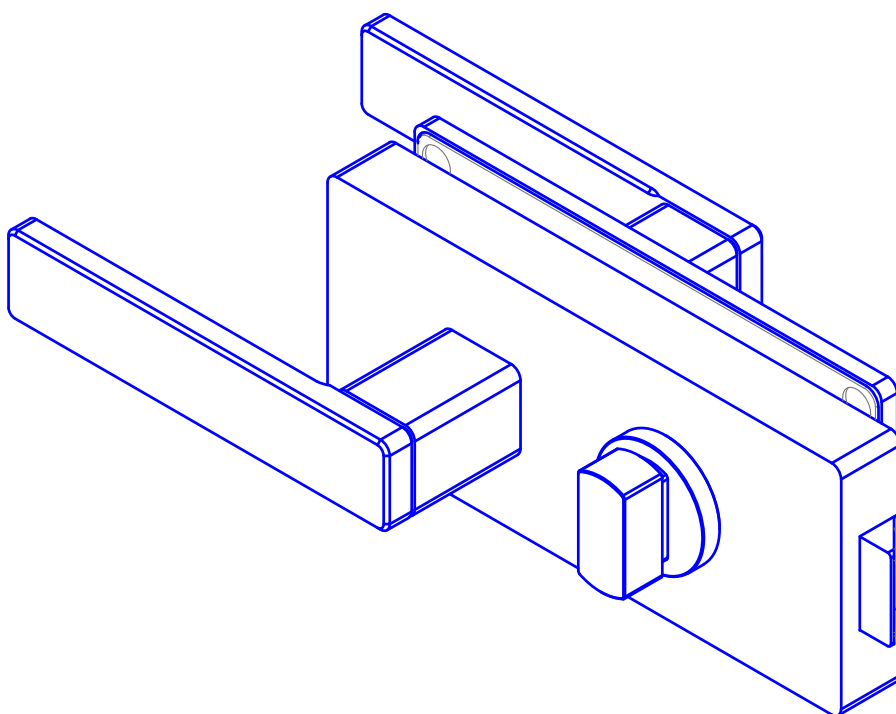
TD.8656.AE.MF.WC

MWE[®]
 Stainless Steel Manufacturer
 NORTH AMERICA
 Email: sales@mwe-na.com
www.mwe-na.com



Vorbereitet für die Montage
an Türblättern Studio-Standard

Prepared for fastening on
glass door sheets Studio-Standard



Maß dimension	Glas glass	
	8mm	10mm
A	21	23

**Ansicht Tür: DIN links
view on door: DIN left**

Bitte bei Bestellung
DIN links oder DIN rechts angeben.

Please specify DIN left or
DIN right by purchase order.



Technische Änderungen vorbehalten - subject to change without notice!

Bezeichnung:	Schlosskasten Akzent Evo WC SF, für Glastür		
description:	Lock case Akzent Evo WC SF, for glass door		
Modell: model:	TD.8656.AE.SF.WC	CAD-Maßstab: CAD-scale:	1:1
		Datum: date:	1.18.2018