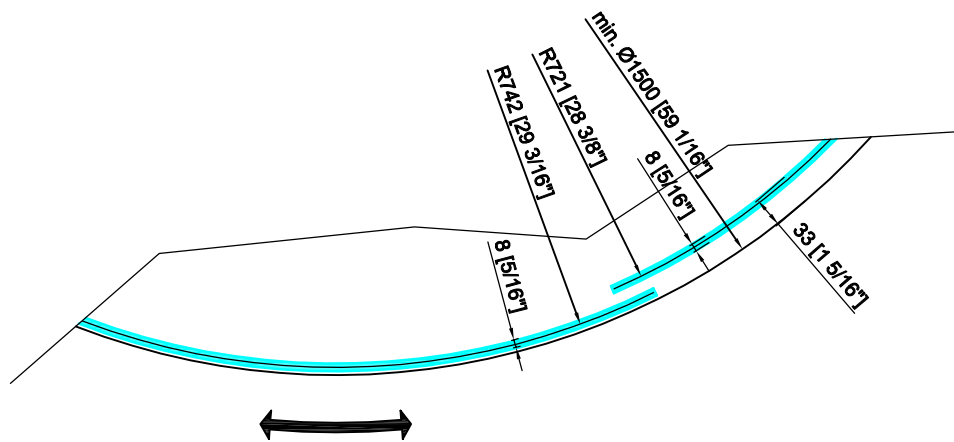
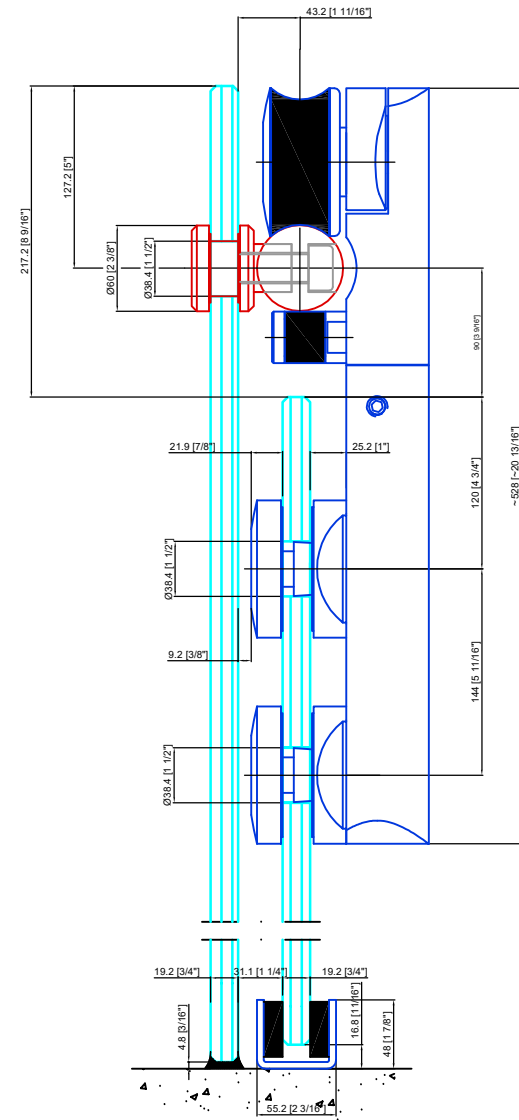
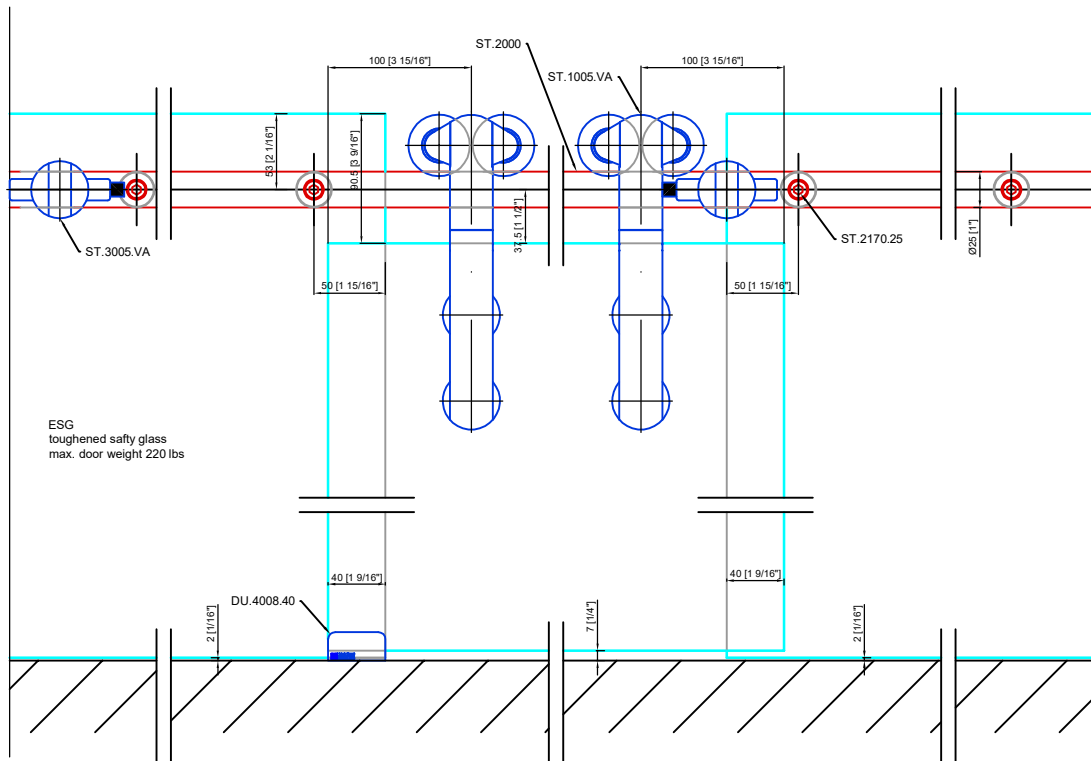


Technical drawings are subject to change without notice.  
 All millimeter dimensions are exact and supersede inch conversions.

Copyright MWE NA Inc., all rights reserved. Reproduction or other use of these designs  
 without written consent from MWE NA Inc. is prohibited.



# Vario shower system

DU.1005.15.RD

Date Prepared: July 2018

Prepared By: CDA | JRT



Email: [sales@mwe-na.com](mailto:sales@mwe-na.com)  
[www.mwe-na.com](http://www.mwe-na.com)